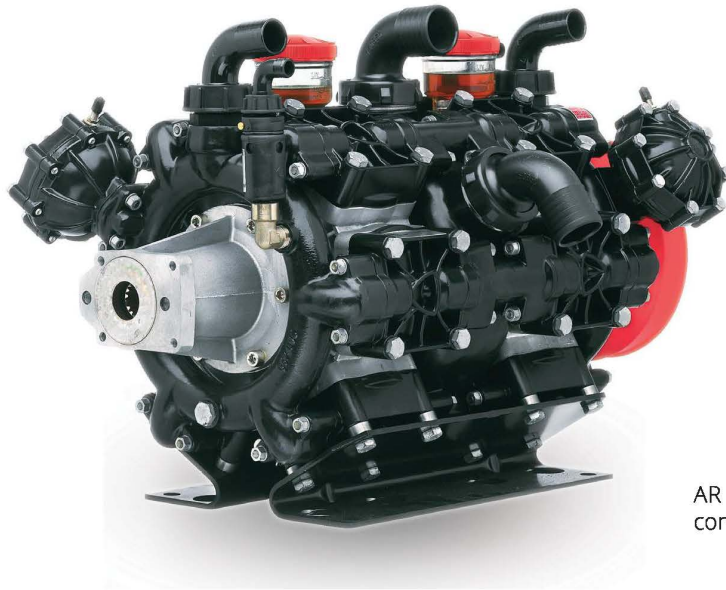




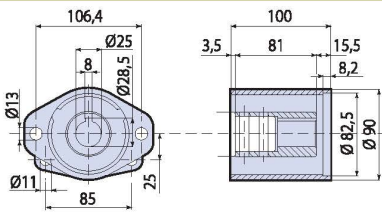
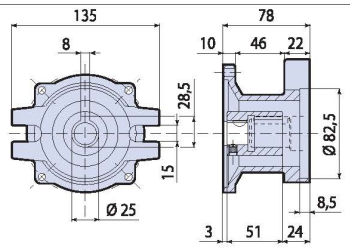
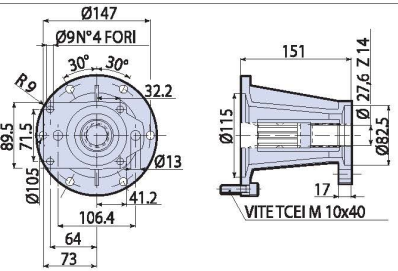
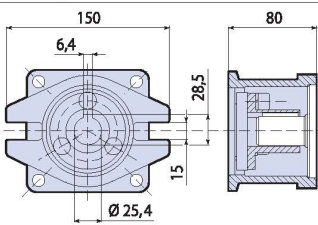
Applicazioni speciali

special applications



AR 560 bp Twin
con IDM

Appl. "IDM" per motori idraulici - Fittings for hydraulic motors "IDM"

Marca Make	Tipo Type	Tipo pompa Pump type	Codice Code	Dimensioni Dimensions	
CASAPPA	Serie RBO RBP RBR Ø25mm	AR 70 bp SP AR 115 bp SP AR 135 bp SP	5350		
		AR 202 SP AR 252 SP AR 252 AP SP	55353		
		AR160 LFP C/C AR185 LFP C/C AR 125 bp C/C AR 145 bp C/C AR 160 bp C/C AR 185 bp C/C AR 215 bp C/C AR 250 bp C/C AR 280 bp C/C AR 320 bp C/C	5349		
CHAR-LYNN EATON	Serie 2000 albero Ø25,4mm (Ø1") Tipo 2 80,2 100,2 160	AR 30 SP AR 50 SP AR 303 SP AR 403 SP AR 503 SP AR 713 C/SP AR 813 C/SP AR 903 C/SP	AR1053 C/SP AR1203 C/SP AR1064 C/SP AR1604 C/SP BHS90 C/SP BHS105 C/SP BHS120 C/SP	5312	

Applicazioni speciali

special applications



Appl. "IDM" per motori idraulici - Fittings for hydraulic motors "IDM"

Marca Make	Tipo Type	Tipo pompa Pump type	Codice Code	Dimensioni Dimensions	
		AR 45 LFP SP AR 80 LFP SP AR 45 bp SP AR 80 bp SP	55372		
		AR120 LFP SP AR140 LFP SP AR 120 bp SP AR 140 bp SP	55373		
		AR 70 bp SP AR 115 bp SP AR 135 bp SP	5350		
		AR160 LFP C/C AR185 LFP C/C AR 125 bp C/C AR 145 bp C/C AR 160 bp C/C AR 185 bp C/C AR 215 bp C/C AR 250 bp C/C AR 280 bp C/C AR 320 bp C/C	1568		
SAUER DANFOSS	OMP 25 - 32 - 40 - 50 albero Ø25mm 80 - 100 - 160 OMR 80 OMR 100	AR 202 SP AR 252 SP AR 252 AP SP	55353		
		AR 30 SP AR 50 SP AR303 SP AR403 SP AR503 SP AR 713 C/SP AR813 C/SP AR903 C/SP	AR1053 C/SP AR1203 C/SP AR1064 C/SP AR1604 C/SP BHS90 C/SP BHS105 C/SP BHS120 C/SP	5327	
		AR245 LFP C/C AR275 LFP C/C AR330 LFP C/C AR380 LFP C/C AR410 LFP C/C AR460 LFP C/C AR 245 bp C/C AR 275 bp C/C AR 330 bp C/C AR 380 bp C/C AR 410 bp C/C AR 460 bp C/C	55378		



Applicazioni speciali

special applications

Appl. "IDM" per motori idraulici - Fittings for hydraulic motors "IDM"

Marca Make	Tipo Type	Tipo pompa Pump type	Codice Code	Dimensioni Dimensions	
		AR 70 bp SP AR 115 bp SP AR 135 bp SP	5341		
		AR160 LFP C/C AR185 LFP C/C AR 125 bp C/C AR 145 bp C/C AR 160 bp C/C AR 185 bp C/C AR 215 bp C/C AR 250 bp C/C AR 280 bp C/C AR 320 bp C/C	1570		
	OMP 50 albero Ø25,4mm (Ø1") 80 - 100 - 160 OMR 80 OMR 100	AR 30 SP AR 50 SP AR303 SP AR403 SP AR503 SP AR 713 C/SP AR 813 C/SP AR903 C/SP	AR1053 C/SP AR1203 C/SP AR1064 C/SP AR1604 C/SP BHS90 C/SP BHS105 C/SP BHS120 C/SP	5312	
SAUER DANFOSS		AR 45 LFP SP AR 80 LFP SP AR 45 bp SP AR 80 bp SP	55375		
		AR120 LFP SP AR140 LFP SP AR 120 bp SP AR 140 bp SP	55376		
	OMS albero Ø32mm	AR160 LFP C/C AR185 LFP C/C AR 125 bp C/C AR 145 bp C/C AR 160 bp C/C AR 185 bp C/C AR 215 bp C/C AR 250 bp C/C AR 280 bp C/C AR 320 bp C/C	1569		

Applicazioni speciali

special applications



Appl. "IDM" per motori idraulici - Fittings for hydraulic motors "IDM"

Marca Make	Tipo Type	Tipo pompa Pump type	Codice Code	Dimensioni Dimensions
SAUER DANFOSS	OMS albero Ø32mm	AR245 LFP C/C AR275 LFP C/C AR330 LFP C/C AR380 LFP C/C AR410 LFP C/C AR460 LFP C/C AR 245 bp C/C AR 275 bp C/C AR 330 bp C/C AR 380 bp C/C AR 410 bp C/C AR 460 bp C/C	55371	
		AR160 LFP C/C AR185 LFP C/C AR 125 bp C/C AR 145 bp C/C AR 160 bp C/C AR 185 bp C/C AR 215 bp C/C AR 250 bp C/C AR 280 bp C/C AR 320 bp C/C	5349	
	Serie DR - MB - RS Ø25mm	AR 70 bp SP AR 115 bp SP AR 135 bp SP	5350	
WHITE HIDRAULICS	Serie DR - MB - RE Z=14	AR160 LFP C/C AR185 LFP C/C AR 125 bp C/C AR 145 bp C/C AR 160 bp C/C AR 185 bp C/C AR 215 bp C/C AR 250 bp C/C AR 280 bp C/C AR 320 bp C/C	5349	
	Serie RS Ø25mm	AR 202 SP AR 252 SP AR 252 AP SP	55353	