



Dimensioni d'ingombro

L'illustrazione raffigura le dimensioni di massima della pompa e i punti di fissaggio.

Overall dimensions

The illustration shows the approximate dimensions of the pump and the mounting points.

Dimensions hors-tout

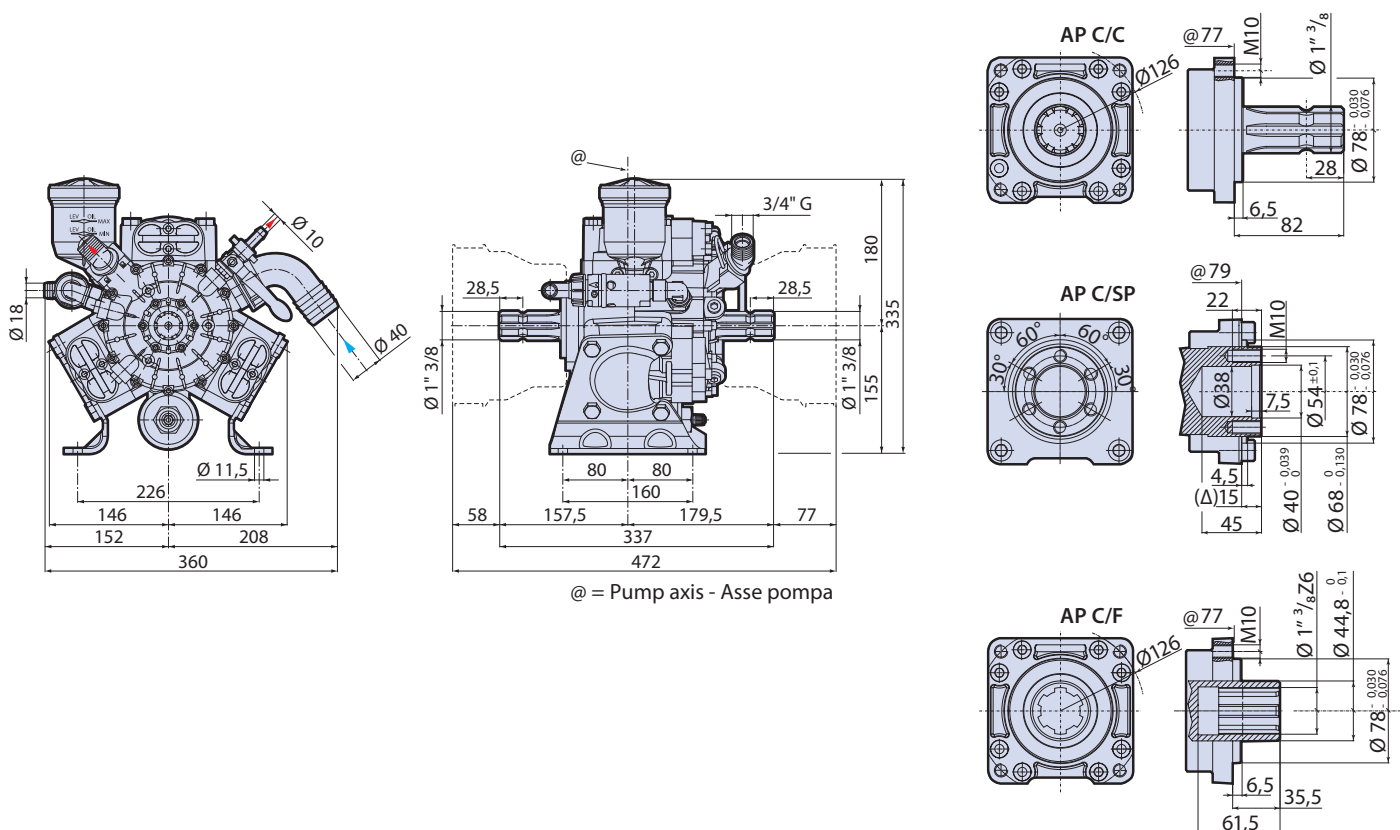
L'illustration représente les dimensions hors-tout de la pompe et les points de fixation.

Außenmaße

Die Abbildung zeigt die Außenmaße der Pumpe und die Befestigungspunkte.

Dimensiones

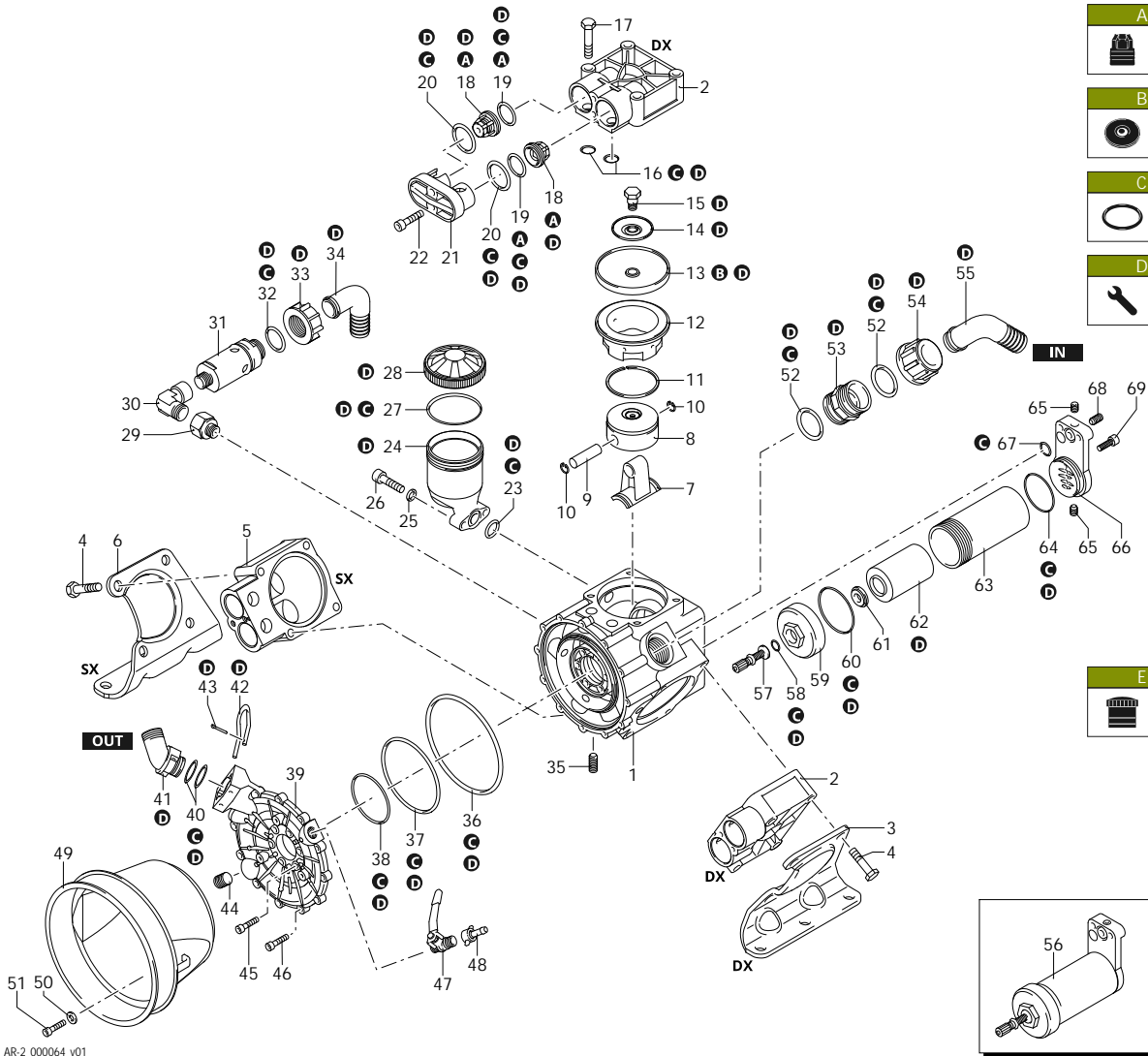
La ilustración presenta las dimensiones generales de la bomba y los puntos de fijación.





AR 813

630 - 32107 - 631 - 32106 - 632 - 32108



AR-2_000064_v01

- AR 813 AP C/SP - NBR • 630
- AR 813 AP C/SP - BlueFlex • 32107
- AR 813 AP C/C - NBR • 631
- AR 813 AP C/C - BlueFlex • 32106
- AR 813 AP C/F Ø 1"3/8 - NBR • 632
- AR 813 AP C/F Ø 1"3/8 - BlueFlex • 32108



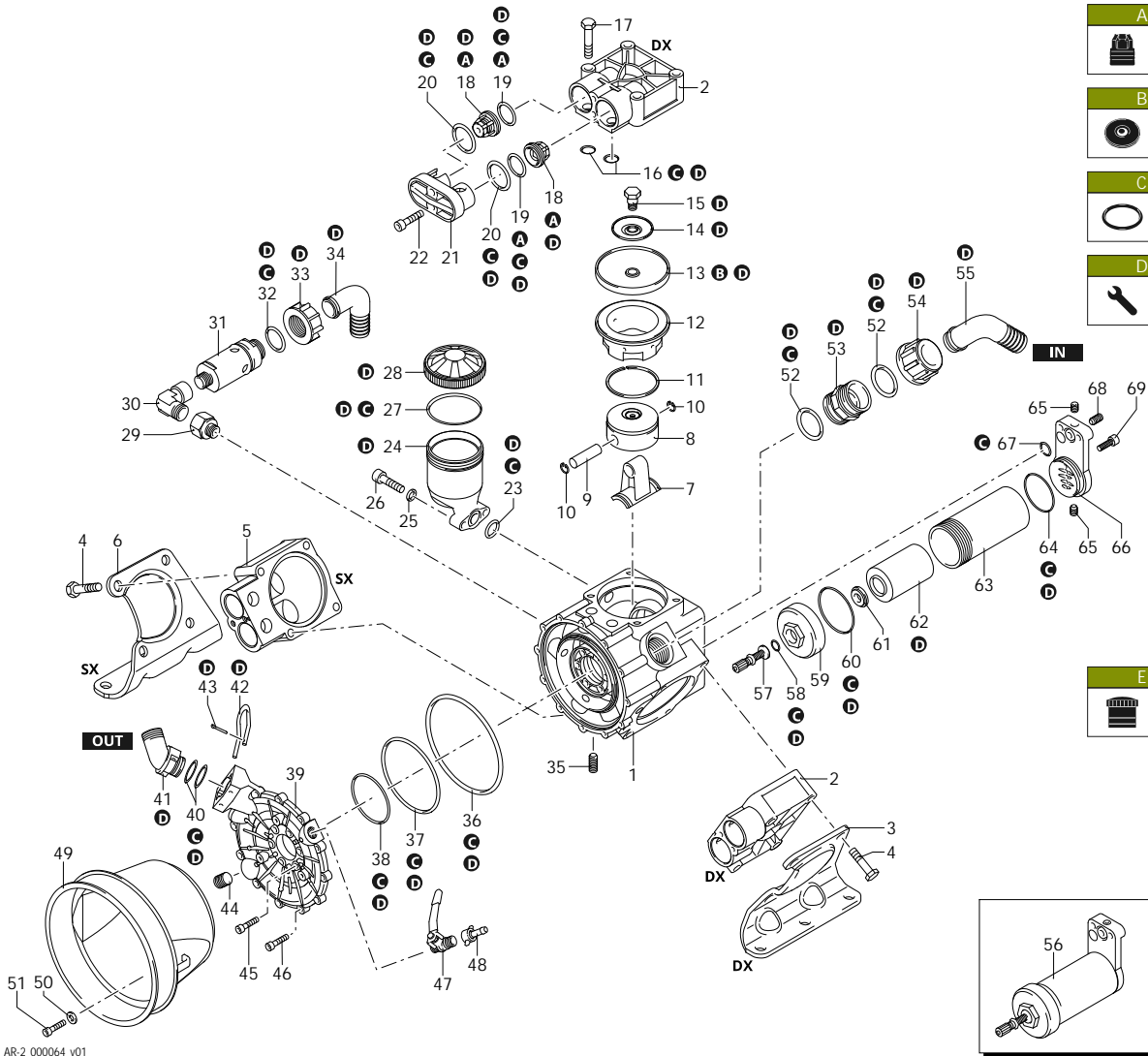
Revision: 1
Date: 04/10/2022

Code	Description	Q	Note
1	1800140 Pump body	1	
2	1040551 Head dx	2	
3	1800430 Foot	1	
4	750060 Screw TE M12x65	8	C=50Nm
5	1040552 Head sx	1	
6	1800440 Foot	1	
7	1800050 Connecting-rod	3	
8	1040120 Piston Ø 63	3	
9	1040070 Pin	3	Lubricate with Mineral Grease
10	1040270 Ring seeger Øi 15	6	
11	650190 Piston ring	3	
12	1500080 Sleeve	3	
13	1040081 Diaphragm NBR - Øe 105	3	
13	1040083 Diaphragm BlueFlex - Øe 105	3	
13	1040080 Diaphragm Desmopan - Øe 105	3	
14	1040180 Plate	3	
15	580361 Hub pin	3	C=30Nm / Lubricate with P-40 Grease
16	960160 O-ring Ø 17,86x2,62	6	Lubricate Molykote PG54
17	1480040 Screw TE M12x60	4	C=50Nm
18	1409050 Valve	6	
19	620030 O-ring Ø 25,80x3,53	6	Lubricate with motor oil
20	540361 O-ring Ø 33,05x1,78	6	Lubricate with motor oil
21	1300190 Plug	3	
22	620610 Screw TCEI M8x30	6	C=20Nm
23	390180 O-ring Ø 18,72x2,62	1	Lubricate with motor oil
24	680031 Tank	1	
25	380241 Washer	2	
26	680350 Screw TCEI M8x35	2	C=10Nm
27	1040060 O-ring Ø 72,69x2,62	1	Lubricate Molykote Longterm W2
28	1800060 Plug black	1	
29	881461 Threaded adapter 3/8" G - 1/2" G	1	C=20Nm / Loxeal 83-21
30	881560 Fitting 1/2" G (M-F)	1	C=20Nm / Loxeal 83-21
31	1609002 Safety valve 50 bar	1	C=10Nm / Loxeal 24-18
32	880831 O-ring Ø 15,54x2,62 Viton	1	Lubricate Molykote G-807
33	550450 Ring nut 3/4" G	1	
34	550460 Elbow Ø 18	1	
35	1040260 Screw M10x25	1	C=10Nm / Loxeal 55-14
36	1400120 O-ring Ø 145,72x2,62	1	Lubricate with motor oil
37	1800161 O-ring Ø 113,97x2,62 Viton	1	Lubricate with motor oil
38	1040060 O-ring Ø 72,69x2,62	1	Lubricate Molykote Longterm W2
39	1800150 Line intake/delivery	1	
40	390180 O-ring Ø 18,72x2,62	2	Lubricate with motor oil
41	1040760 Fitting 3/4" G	1	
42	1040690 Fork	1	
43	1040950 Split pin	1	
44	1800240 Screw TCEI M6x25	2	C=20Nm / Loxeal 55-14
45	780060 Screw TCEI M6x25	6	C=10Nm
46	1040370 Screw TCEI M6x22	12	C=10Nm



AR 813

630 - 32107 - 631 - 32106 - 632 - 32108



AR-2_000064_v01

Code	Description		Q	Note
47	130491 Valve	3/8" G - 1/2" G (M-M)	1	C=20Nm / Loxeal 55-14
48	110131 Ring nut	1/2" G	1	
49	1500350 Cardan protection	ø 199 mm	1	
49	1500470 Cardan protection	ø 239 mm	1	
50	881710 Washer		3	
51	1343510 Screw	TCEI M6x14	3	C=10Nm
52	250310 O-ring	Ø 36,14x2,62	2	Lubricate with motor oil
53	540530 Fitting	1"1/4 G - 1"3/4 G (M-M)	1	C=20Nm
54	540540 Ring nut	1" 3/4 G	1	
55	540550 Elbow	Ø 40	1	
56	1536 Air chamber	NBR	1	
57	1800350 Air valve		1	C=4Nm / Loxeal 55-14
58	650542 Gasket		1	Lubricate with motor oil
59	1800270 Cover		1	Lubricate with motor oil
60	650560 O-ring	Ø 56,82x2,62	1	Lubricate with motor oil
61	1800311 Plate		1	
62	1800300 Diaphragm	NBR	1	
63	1800280 Pipe		1	C=20Nm / Loxeal 83-21
64	540360 O-ring	Ø 44,12x2,62	1	Lubricate with motor oil
65	1040470 Screw	M10x8	2	C=20Nm / Loxeal 83-21
66	1800290 Fitting		1	
67	640070 O-ring	Ø 13,95x2,62	1	Lubricate Molykote G-807
68	1040260 Screw	M10x25	1	C=10Nm / Loxeal 55-14
69	320360 Screw	TCEI M8x22	2	C=20Nm
A	1963 Valve kit		1	
B	42802 Diaphragms kit	NBR	1	
B	43127 Diaphragms kit	BlueFlex	1	
B	42803 Diaphragms kit	Desmopan	1	
C	43020 O-ring kit		1	
D	43019 Maintenance repair kit	NBR	1	
E	47196 Tank kit		1	

- AR 813 AP C/SP - NBR • 630
- AR 813 AP C/SP - BlueFlex • 32107
- AR 813 AP C/C - NBR • 631
- AR 813 AP C/C - BlueFlex • 32106
- AR 813 AP C/F Ø 1"3/8 - NBR • 632
- AR 813 AP C/F Ø 1"3/8 - BlueFlex • 32108



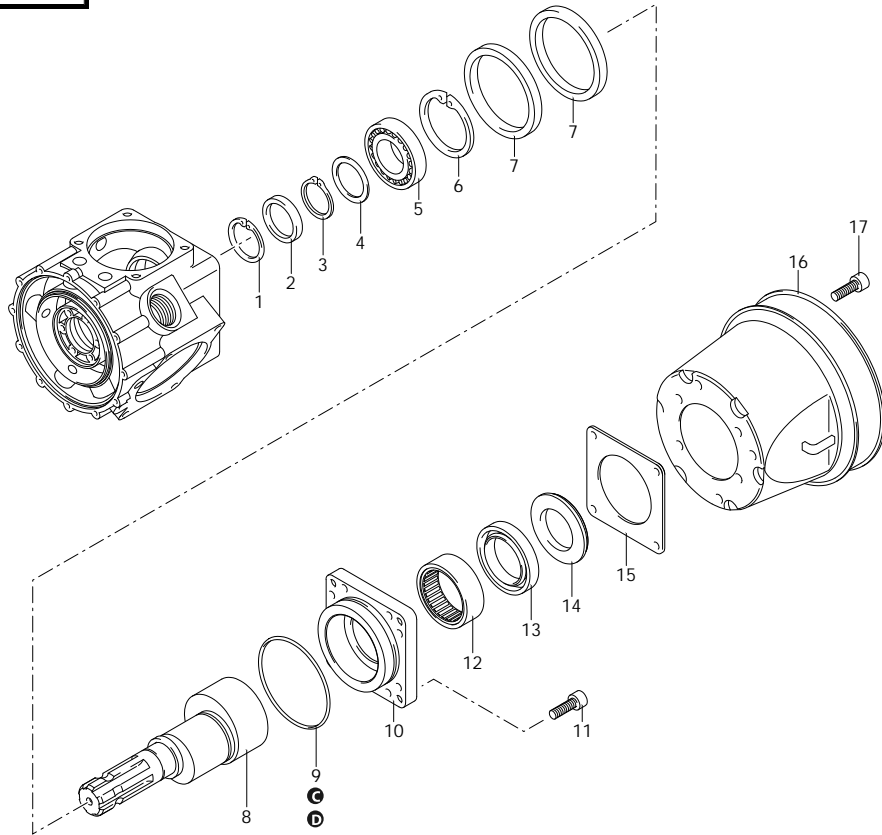
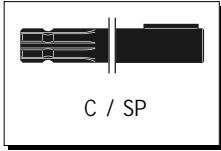
Revision: 1

Date: 04/10/2022



AR 813

630 - 32107 - 631 - 32106 - 632 - 32108



Code	Description		Q	Note
1	1460490 Ring	seeger Øi 47	1	
2	1040050 Ring	seal	1	Lubricate with Mineral Grease
3	1040570 Ring	seeger Øe 35	1	
4	1040850 Spacer		1	
5	161060 Bearing		1	Press Mount
6	161050 Ring	seeger Øi 72	1	
7	1040340 Ring	Connecting-rod	2	
8	1800200 Shaft	34 marked	1	Lubricate with motor oil
9	1040060 O-ring	Ø 72,69x2,62	1	Lubricate Molykote Longterm W2
10	1800210 Flange		1	
11	180030 Screw	TCEI M8x20	8	C=20Nm / Loxeal 55-14
12	650200 Bearing		1	Press Mount
13	1400150 Ring	seal	1	Lubricate with Mineral Grease
14	1400110 Ring		1	
14	1500350 Cardan protection	ø 199 mm	1	
14	1500470 Cardan protection	ø 239 mm	1	
15	1400140 Flange		1	
16	1500350 Cardan protection	ø 199 mm	1	
16	1500470 Cardan protection	ø 239 mm	1	
17	820670 Screw	TCEI M10x16	4	C=10Nm
A	1963 Valve kit		1	
B	42802 Diaphragms kit	NBR	1	
B	43127 Diaphragms kit	BlueFlex	1	
B	42803 Diaphragms kit	Desmopan	1	
C	43020 O-ring kit		1	
D	43019 Maintenance repair kit	NBR	1	

AR-2_000066_v01

- AR 813 AP C/SP - NBR • 630
- AR 813 AP C/SP - BlueFlex • 32107
- AR 813 AP C/C - NBR • 631
- AR 813 AP C/C - BlueFlex • 32106
- AR 813 AP C/F Ø 1"3/8 - NBR • 632
- AR 813 AP C/F Ø 1"3/8 - BlueFlex • 32108



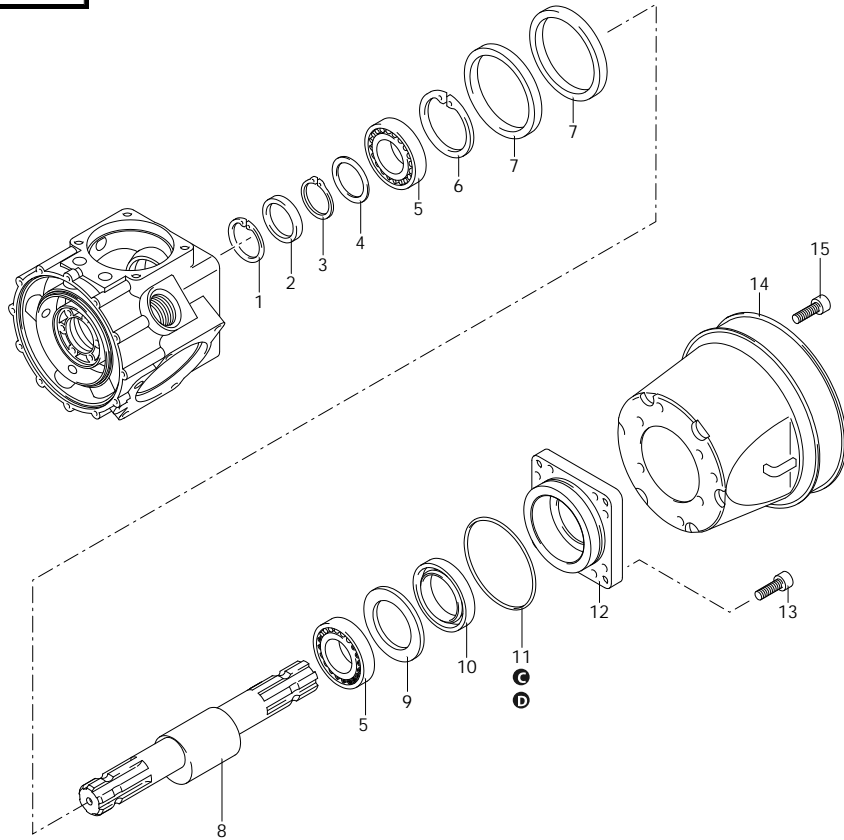
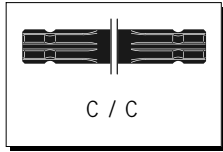
Revision: 1

Date: 04/10/2022



AR 813

630 - 32107 - 631 - 32106 - 632 - 32108



Code	Description		Q	Note
1	1460490 Ring	seeger Øi 47	1	
2	1040050 Ring	seal	1	Lubricate with Mineral Grease
3	1040570 Ring	seeger Øe 35	1	
4	1040850 Spacer		1	
5	161060 Bearing		2	Press Mount
6	161050 Ring	seeger Øi 72	1	
7	1040340 Ring	Connecting-rod	2	
8	1800180 Shaft	W marked	1	
9	1800230 Spacer		1	
10	160740 Ring	seal	1	Lubricate with Mineral Grease
11	1040060 O-ring	Ø 72,69x2,62	1	Lubricate Molykote Longterm W2
12	1800220 Flange		1	
13	180030 Screw	TCEI M8x20	8	C=20Nm / Loxeal 55-14
14	1500350 Cardan protection	ø 199 mm	1	
14	1500470 Cardan protection	ø 239 mm	1	
15	820670 Screw	TCEI M10x16	4	C=10Nm
A	1963 Valve kit		1	
B	42802 Diaphragms kit	NBR	1	
B	43127 Diaphragms kit	BlueFlex	1	
B	42803 Diaphragms kit	Desmopan	1	
C	43020 O-ring kit		1	
D	43019 Maintenance repair kit	NBR	1	

AR-2_000065_v01

- AR 813 AP C/SP - NBR • 630
- AR 813 AP C/SP - BlueFlex • 32107
- AR 813 AP C/C - NBR • 631
- AR 813 AP C/C - BlueFlex • 32106
- AR 813 AP C/F Ø 1"3/8 - NBR • 632
- AR 813 AP C/F Ø 1"3/8 - BlueFlex • 32108



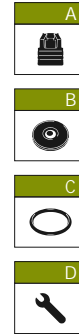
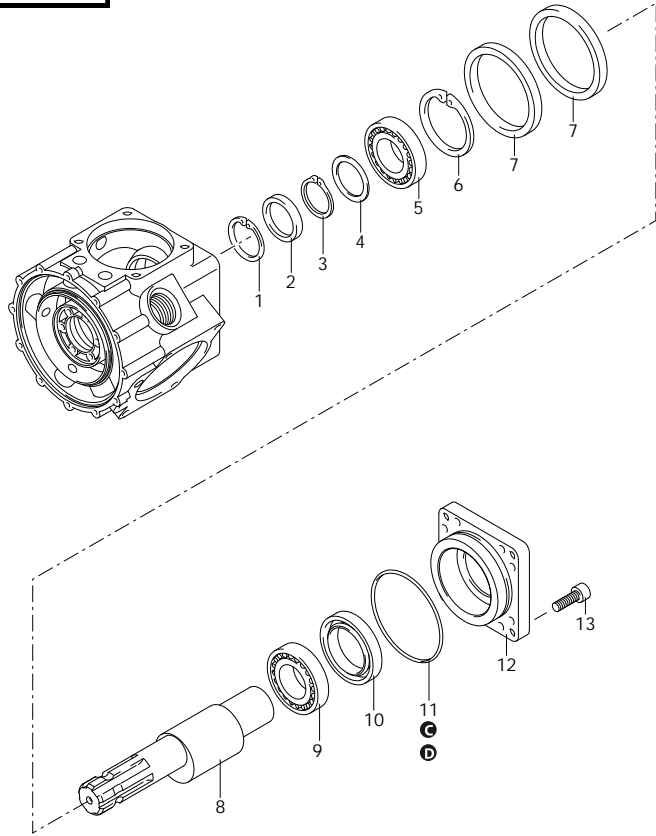
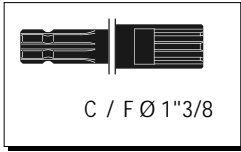
Revision: 1

Date: 04/10/2022



AR 813

630 - 32107 - 631 - 32106 - 632 - 32108



Code	Description		Q	Note
1	1460490 Ring	seeger Øi 47	1	
2	1040050 Ring	seal	1	Lubricate with Mineral Grease
3	1040570 Ring	seeger Øe 35	1	
4	1040850 Spacer		1	
5	161060 Bearing		1	Press Mount
6	161050 Ring	seeger Øi 72	1	
7	1040340 Ring	Connecting-rod	2	
8	1800190 Shaft	Q marked	1	
9	230310 Bearing		1	Press Mount
10	200150 Ring	seal	1	
11	1040060 O-ring	Ø 72,69x2,62	1	Lubricate Molykote Longterm W2
12	1800120 Flange		1	
13	180030 Screw	TCEI M8x20	8	C=20Nm / Loxeal 55-14
A	1963 Valve kit		1	
B	42802 Diaphragms kit	NBR	1	
B	43127 Diaphragms kit	BlueFlex	1	
B	42803 Diaphragms kit	Desmopan	1	
C	43020 O-ring kit		1	
D	43019 Maintenance repair kit	NBR	1	

AR-2_000067_v01

- AR 813 AP C/SP - NBR • 630
- AR 813 AP C/SP - BlueFlex • 32107
- AR 813 AP C/C - NBR • 631
- AR 813 AP C/C - BlueFlex • 32106
- AR 813 AP C/F Ø 1"3/8 - NBR • 632
- AR 813 AP C/F Ø 1"3/8 - BlueFlex • 32108



Revision: 1

Date: 04/10/2022