



Dimensioni d'ingombro

L'illustrazione raffigura le dimensioni di massima della pompa e i punti di fissaggio.

Overall dimensions

The illustration shows the approximate dimensions of the pump and the mounting points.

Dimensions hors-tout

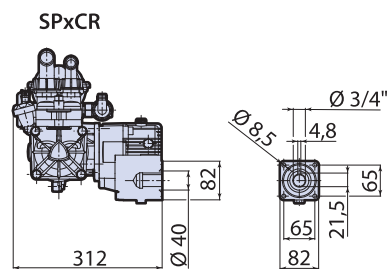
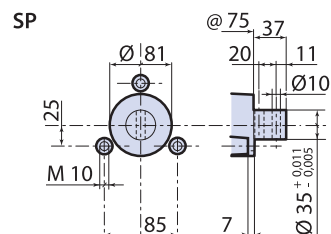
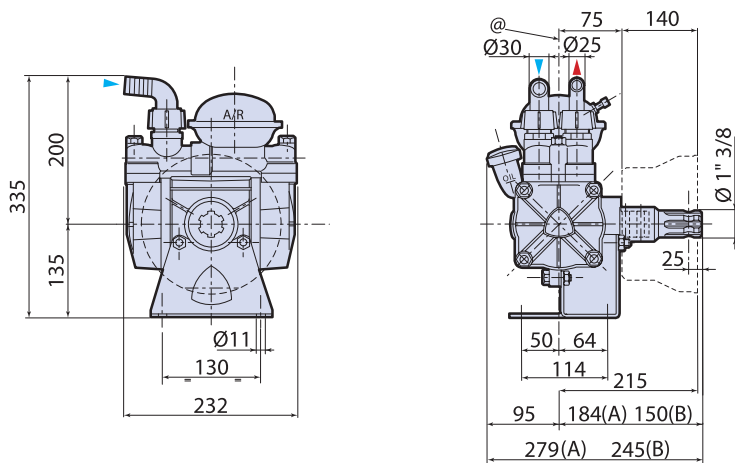
L'illustration représente les dimensions hors-tout de la pompe et les points de fixation.

Außenmaße

Die Abbildung zeigt die Außenmaße der Pumpe und die Befestigungspunkte.

Dimensiones

La ilustración presenta las dimensiones generales de la bomba y los puntos de fijación.



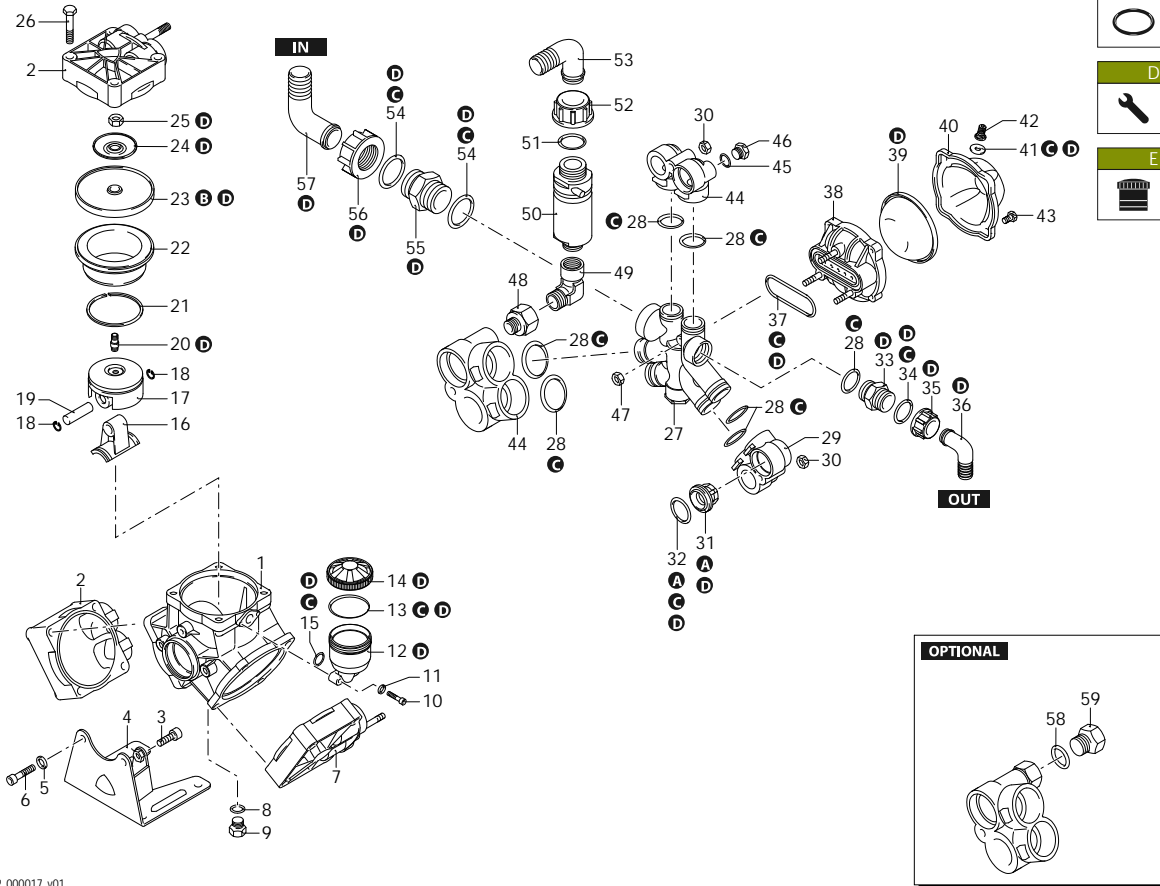
A = C/w cardan • Con appl.C
 B = Integral shaft • Albero integrale
 @ = Pump axis • Asse pompa

With reduction gear - Con riduttore



AR 135 BP

1206 - 32024 - 1207 - 32025



Code	Description	Q	Note
1	580013 Pump body	1	
2	550101 Head dx	2	
3	540301 Screw TCEI M10x30	1	C=40Nm
4	580080 Foot	1	
5	320621 Washer	2	
6	620472 Screw TCEI M10x20	2	C=30Nm
7	550102 Head sx	1	
8	740290 O-ring Ø 14x1,78	1	Lubricate Molykote PG54
9	880530 Plug 3/8" G	1	C=20Nm
10	850851 Screw TCEI M6x30	2	C=10Nm
11	550332 Washer	2	
12	1040310 Tank	1	
13	650920 O-ring Ø 53,65x2,62	1	Lubricate with Mineral Grease
14	1040324 Plug red	1	
15	390180 O-ring Ø 18,72x2,62	1	Lubricate with motor oil
16	580140 Connecting-rod	3	Lubricate with motor oil
17	580120 Piston Ø 80	3	
18	380080 Ring seeger Øi 14	6	
19	380300 Pin	3	Lubricate with Mineral Grease
20	2240100 Hub pin	3	C=30Nm / Loxeal 83-21
21	500260 Piston ring	3	
22	580350 Sleeve	3	
23	550080 Diaphragm NBR - Øe 115	3	
23	550081 Diaphragm BlueFlex - Øe 115	3	
23	550084 Diaphragm Viton - Øe 115	3	
23	550085 Diaphragm Desmopan - Øe 115	3	
23	550086 Diaphragm HPDS - Øe 115	3	
24	580371 Plate Ø 10	3	
25	2240110 Nut M10	3	C=25Nm
26	551040 Screw TE M10x55	12	C=40Nm
27	580150 Line intake/delivery	1	
28	390291 O-ring Ø 28,25x2,62	7	Lubricate Molykote G-807
29	580072 Fitting	1	
30	180152 Nut M10	3	
31	759051 Valve	6	
32	320030 O-ring Ø 31,5x4,5	6	Lubricate with Mineral Grease
33	550340 Fitting 1" G (M-M)	1	
34	550350 O-ring Ø 23,81x2,62	1	Lubricate with Mineral Grease
35	550880 Ring nut 1" G	1	
36	550370 Elbow Ø 25	1	
37	580050 Gasket	1	Lubricate with motor oil
38	580180 Semi air chamber lower	1	
39	550190 Diaphragm NBR - Øe 110	1	
39	550194 Diaphragm BlueFlex - Øe 110	1	
39	550192 Diaphragm Viton - Øe 110	1	
39	550191 Diaphragm Saturflon - Øe 110	1	
40	550233 Semi air chamber upper	1	
41	650542 Gasket	1	Lubricate with motor oil

AR-2_000017_v01

- AR 135 BP C - NBR • 1206
- AR 135 BP C - BlueFlex • 32024
- AR 135 BP SP - NBR • 1207
- AR 135 BP SP - BlueFlex • 32025

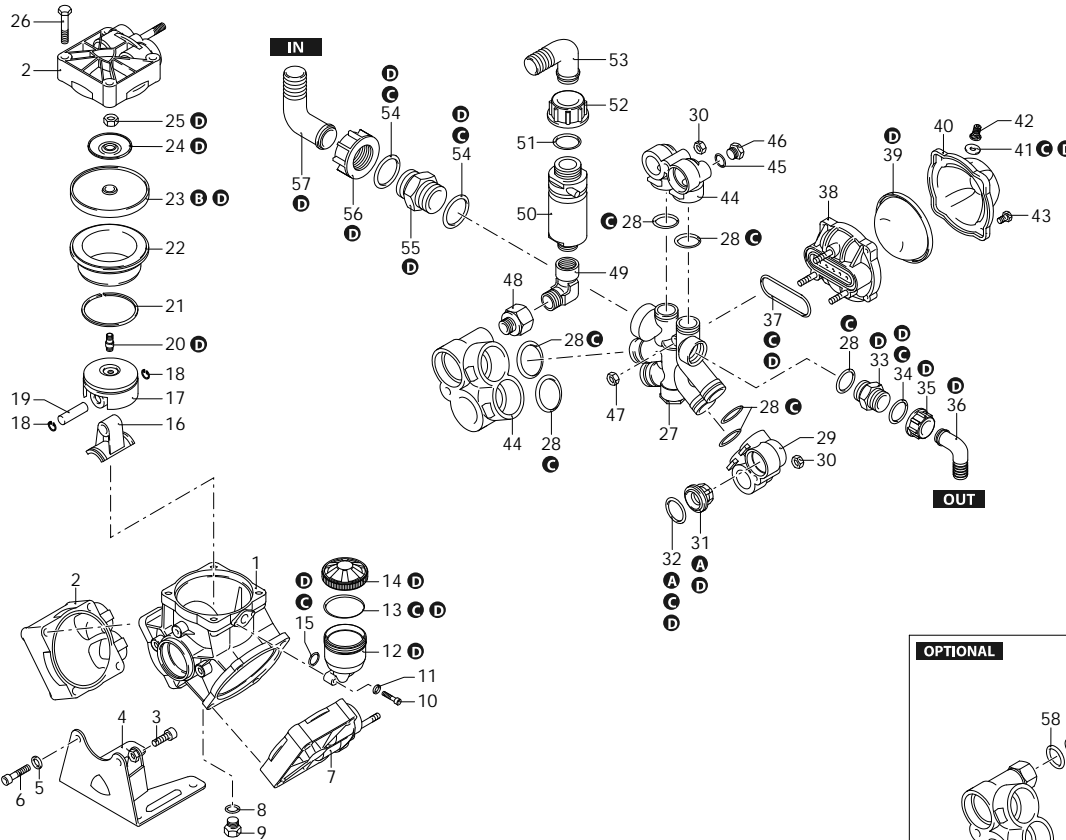


Revision: 1
Date: 04/10/2022

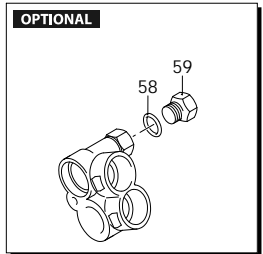


AR 135 BP

1206 - 32024 - 1207 - 32025



- A**
- B**
- C**
- D**
- E**



Code	Description	Q	Note
42	550300 Air valve	1	C=3Nm
43	550680 Screw	4	C=20Nm
44	580400 Fitting	2	
45	180101 O-ring	1	Lubricate with motor oil
46	330173 Plug	1	C=20Nm / Loxeal 55-14
47	390271 Nut	3	C=20Nm
48	580421 Fitting	1	C=20Nm / Loxeal 83-21
49	881560 Fitting	1	C=20Nm / Loxeal 83-21
50	1609000 Safety valve	1	Loxeal 24-18
51	880831 O-ring	1	Lubricate Molykote G-807
52	550450 Ring nut	1	
53	550460 Elbow	1	
54	250310 O-ring	2	Lubricate with motor oil
55	540530 Fitting	1	C=20Nm
56	540541 Ring nut	1	
57	540550 Elbow	1	
58	180101 O-ring	1	Lubricate with motor oil
59	330173 Plug	1	C=20Nm / Loxeal 55-14
A	2370 Valve kit	1	
B	2367 Diaphragms kit	1	NBR
B	43085 Diaphragms kit	1	BlueFlex
B	2368 Diaphragms kit	1	HPDS
B	2369 Diaphragms kit	1	Desmopan
C	2026 O-ring kit	1	
D	43131 Maintenance repair kit	1	NBR
E	47190 Tank kit	1	

AR-2_000017_v01

- AR 135 BP C - NBR • 1206
- AR 135 BP C - BlueFlex • 32024
- AR 135 BP SP - NBR • 1207
- AR 135 BP SP - BlueFlex • 32025

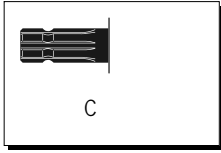


Revision: 1
Date: 04/10/2022

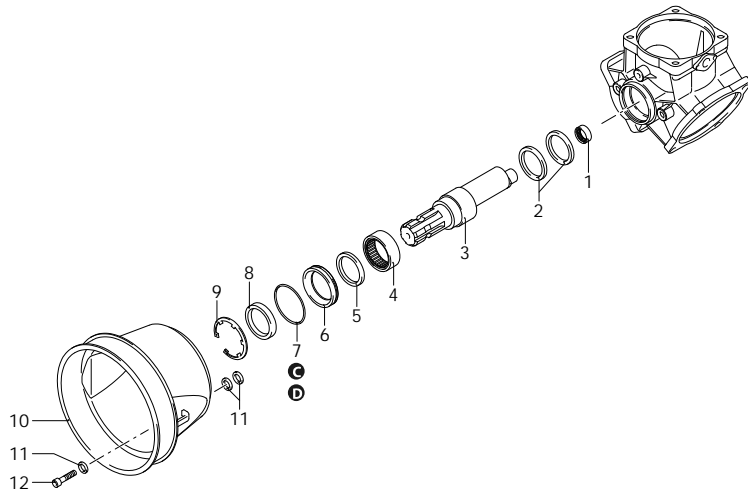


AR 135 BP

1206 - 32024 - 1207 - 32025



C



Code		Description	Q	Note
1	550310	Bushing	1	
2	580470	Ring	2	Lubricate with motor oil
3	580330	Shaft	1	AS marked
4	550060	Bushing	1	Press Mount
5	550070	Washer	1	
6	550470	Bushing	1	
7	650920	O-ring	1	Ø 53,65x2,62 Lubricate with Mineral Grease
8	550491	Ring	1	seal Lubricate with Mineral Grease
9	200391	Ring	1	seeger Øi 62
10	1500350	Cardan protection	1	ø 199 mm
11	320621	Washer	3	
12	850851	Screw	1	TCEI M6x30 C=10Nm
A	2370	Valve kit	1	
B	2367	Diaphragms kit	1	NBR
B	43085	Diaphragms kit	1	BlueFlex
B	2368	Diaphragms kit	1	HPDS
B	2369	Diaphragms kit	1	Desmopan
C	2026	O-ring kit	1	
D	43131	Maintenance repair kit	1	NBR

AR-2_000018_v01

- AR 135 BP C - NBR • 1206
- AR 135 BP C - BlueFlex • 32024
- AR 135 BP SP - NBR • 1207
- AR 135 BP SP - BlueFlex • 32025



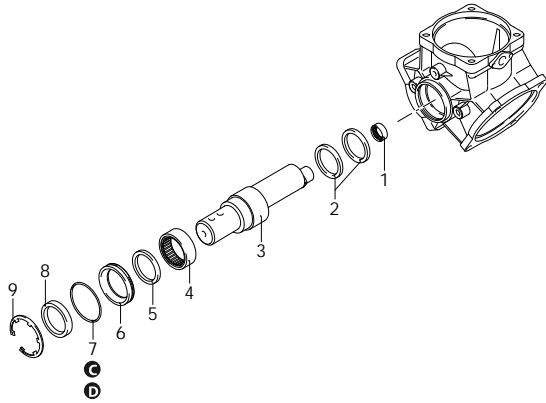
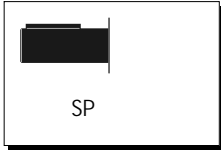
Revision: 1

Date: 04/10/2022



AR 135 BP

1206 - 32024 - 1207 - 32025



Code	Description	Q	Note
1	550310 Bushing	1	
2	580470 Ring	2	Lubricate with motor oil
3	580380 Shaft	1	AT marked
4	550060 Bushing	1	Press Mount
5	550070 Washer	1	
6	550470 Bushing	1	
7	650920 O-ring	1	Ø 53,65x2,62
8	550491 Ring	1	seal
9	200391 Ring	1	seeger Øi 62
A	2370 Valve kit	1	
B	2367 Diaphragms kit	1	NBR
B	43085 Diaphragms kit	1	BlueFlex
B	2368 Diaphragms kit	1	HPDS
B	2369 Diaphragms kit	1	Desmopan
C	2026 O-ring kit	1	
D	43131 Maintenance repair kit	1	NBR

AR-2_000019_v01

- AR 135 BP C - NBR • 1206
- AR 135 BP C - BlueFlex • 32024
- AR 135 BP SP - NBR • 1207
- AR 135 BP SP - BlueFlex • 32025



Revision: 1

Date: 04/10/2022