



### Dimensioni d'ingombro

L'illustrazione raffigura le dimensioni di massima della pompa e i punti di fissaggio.

### Overall dimensions

The illustration shows the approximate dimensions of the pump and the mounting points.

### Dimensions hors-tout

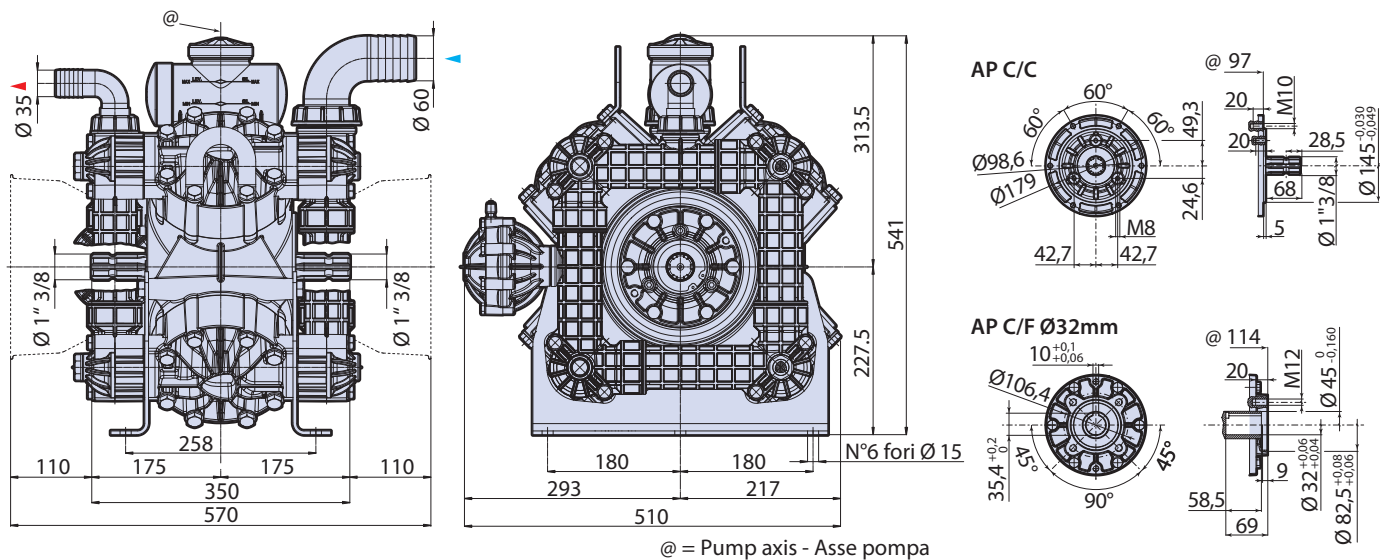
L'illustration représente les dimensions hors-tout de la pompe et les points de fixation.

### Außenmaße

Die Abbildung zeigt die Außenmaße der Pumpe und die Befestigungspunkte.

### Dimensiones

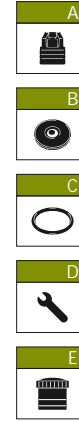
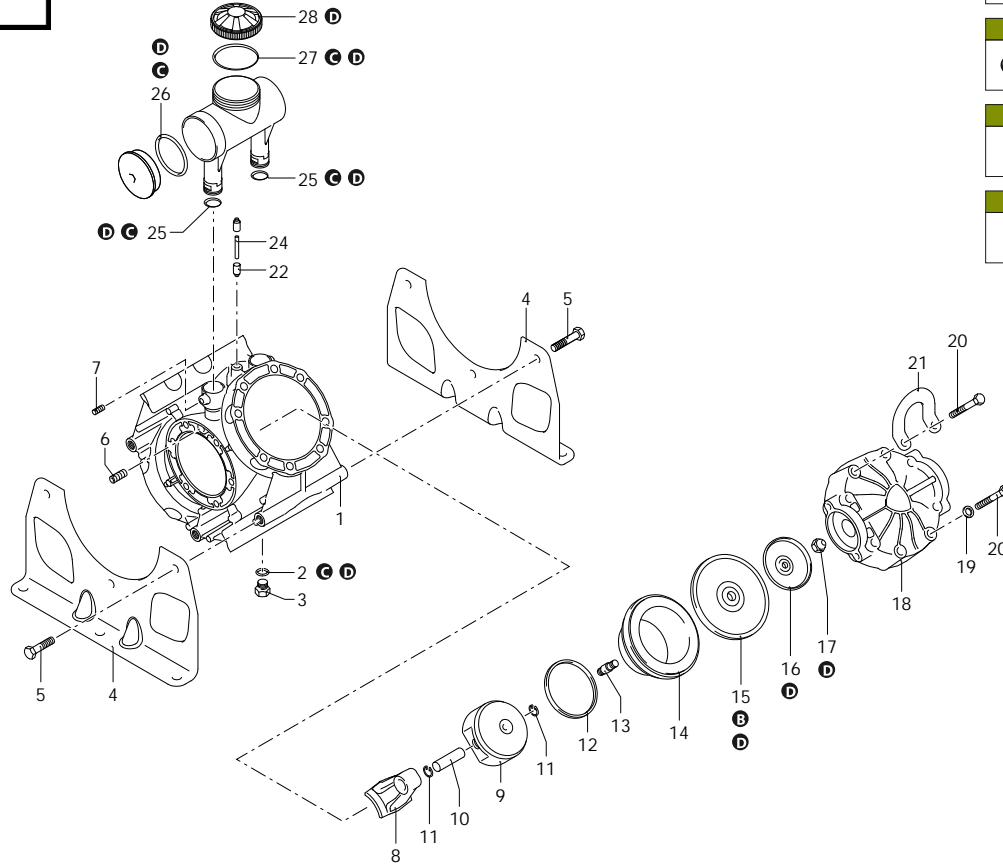
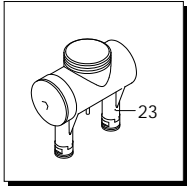
La ilustración presenta las dimensiones generales de la bomba y los puntos de fijación.





# AR 330 BP

1257 - 32049 - 1258 - 32050



Code	Description	Q	Note
1	3280010 Pump body	1	
2	180101 O-ring	1	Lubricate with motor oil
3	820361 Plug	1	1/2" G brass
4	3280030 Foot	2	
5	3040290 Screw	6	C=50Nm / Lubricate with Mineral Grease
6	3280090 Screw	2	C=20Nm / Loxeal 55-14
7	394171 Screw	2	C=10Nm / Loxeal 55-14
8	3280020 Connecting-rod	4	
9	3040100 Piston	4	
10	540070 Pin	4	Lubricate with motor oil
11	160691 Ring	8	seeger Øi 18
12	3040110 Piston ring	4	
13	3040130 Hub pin	4	C=30Nm / Loxeal 83-21
14	3280110 Sleeve	4	stroke 19 Ø100
15	3040080 Diaphragm	4	NBR - Øe 145
15	3040083 Diaphragm	4	BlueFlex - Øe 145
15	3040085 Diaphragm	4	Desmopan - Øe 145
16	3040120 Plate	4	
17	750980 Nut	4	M12 C=30Nm
18	3040030 Head	4	plastic
19	390090 Washer	28	
20	3040300 Screw	32	C=50Nm / Lubricate with Mineral Grease
21	3280080 Support	2	
22	3040490 Fitting	1	Loxeal 55-14
23	3049001 Tank	1	
24	3040500 Pipe	1	34 mm
25	3040590 O-ring	2	Lubricate Molykote PG54
26	3040510 O-ring	1	Lubricate with motor oil
27	1040060 O-ring	1	Lubricate Molykote Longterm W2
28	1800060 Plug	1	black
A	42980 Valve kit	1	
B	42587 Diaphragms kit	1	NBR
B	43181 Diaphragms kit	1	BlueFlex
B	42589 Diaphragms kit	1	Desmopan
C	42591 O-ring kit	1	
D	42981 Maintenance repair kit	1	NBR
E	47187 Tank kit	1	

AR-2\_000032\_v01

- AR 330 BP AP C/C - NBR • 1257
- AR 330 BP AP C/C - BlueFlex • 32049
- AR 330 BP AP C/F Ø 32 - NBR • 1258
- AR 330 BP AP C/F Ø 32 - BlueFlex • 32050



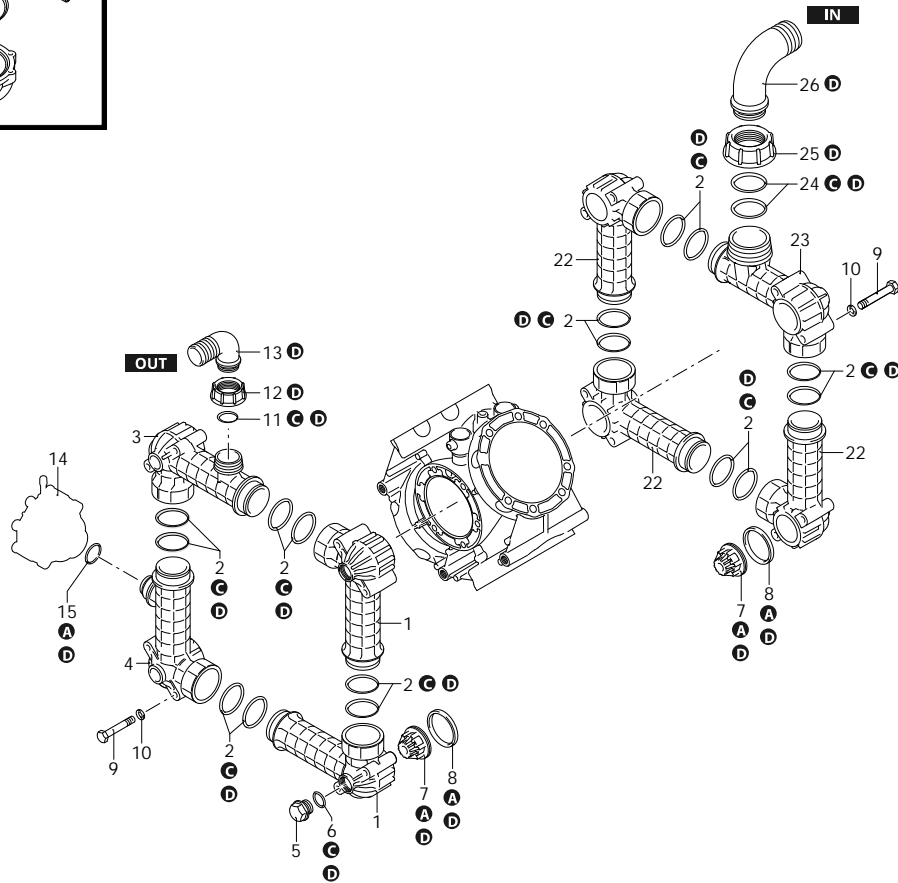
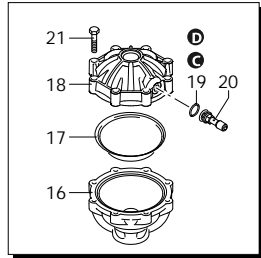
Revision: 1

Date: 04/10/2022



# AR 330 BP

1257 - 32049 - 1258 - 32050



Code	Description	Q	Note
1	3280041 Line	2	
2	100320 O-ring	16	Lubricate Molykote G-807
3	3280060 Line	1	delivery
4	3280070 Line	1	
5	3040370 Plug	2	C=10Nm
6	1540630 O-ring	2	Lubricate Molykote PG54
7	3049050 Valve	8	
8	3040200 Gasket	8	Lubricate Molykote G-807
9	3040280 Screw	16	C=27Nm / Lubrificate with Mineral Grease
10	320621 Washer	16	
11	50012 O-ring	1	Lubricate Molykote PG54
12	750670 Ring nut	1	1" 1/2 G
13	3040160 Elbow	1	Ø 35
14	1508 Air chamber	1	NBR
14	43066 Air chamber	0	BlueFlex
15	280220 O-ring	1	Lubricate Molykote PG54
16	3040310 Semi air chamber	1	lower Loxeal 24-18
17	550190 Diaphragm	1	NBR - Øe 110
17	550194 Diaphragm	1	BlueFlex - Øe 110
18	620232 Semi air chamber	1	upper
19	650542 Gasket	1	Lubricate with motor oil
20	180020 Air valve	1	C=3Nm / Loxeal 55-14
21	621781 Screw	8	C=20Nm / Lubricate Molykote 1000
22	3280040 Line	3	intake/delivery
23	3280050 Line	1	intake
24	750740 O-ring	2	Lubricate Molykote PG54
24	750710 Ring nut	1	Ø 56,74x3,53
25	750710 Ring nut	1	2" 1/2 G
26	750720 Elbow	1	Ø 60
A	42980 Valve kit	1	
B	42587 Diaphragms kit	1	NBR
B	43181 Diaphragms kit	1	BlueFlex
B	42589 Diaphragms kit	1	Desmopan
C	42591 O-ring kit	1	
D	42981 Maintenance repair kit	1	NBR

AR-2\_000033\_v01

AR 330 BP AP C/C - NBR • 1257  
 AR 330 BP AP C/C - BlueFlex • 32049  
 AR 330 BP AP C/F Ø 32 - NBR • 1258  
 AR 330 BP AP C/F Ø 32 - BlueFlex • 32050



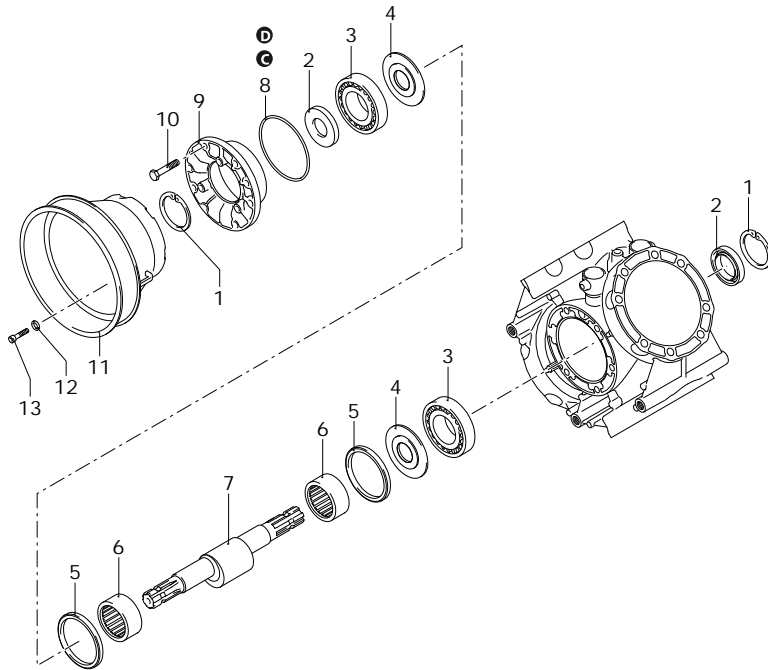
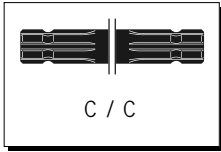
Revision: 1

Date: 04/10/2022



# AR 330 BP

1257 - 32049 - 1258 - 32050



Code	Description	Q	Note
1	161050 Ring	seeger Øi 72	2
2	2680120 Ring	seal	2 Lubricate with Mineral Grease
3	160751 Bearing		2 Press Mount
4	540040 Plate		2 Lubricate with motor oil
5	850130 Ring	Connecting-rod	2
6	850320 Bearing		2
7	3280100 Shaft	DR marked	1
8	1800160 O-ring	Ø 113,97x2,62	1 Lubricate Molykote PG54
9	3040021 Flange		1 Lubricate Molykote PG54
10	450261 Screw	TE M6x35	6 C=20Nm / Lubricate with Mineral Grease
11	1500470 Cardan protection	ø 239 mm	1
12	390314 Washer		3
13	850251 Screw	TCEI M8x12	3 C=10Nm
A	42980 Valve kit		1
B	42587 Diaphragms kit	NBR	1
B	43181 Diaphragms kit	BlueFlex	1
B	42589 Diaphragms kit	Desmopan	1
C	42591 O-ring kit		1
D	42981 Maintenance repair kit	NBR	1

AR-2\_000034\_v01

AR 330 BP AP C/C - NBR • 1257  
 AR 330 BP AP C/C - BlueFlex • 32049  
 AR 330 BP AP C/F Ø 32 - NBR • 1258  
 AR 330 BP AP C/F Ø 32 - BlueFlex • 32050



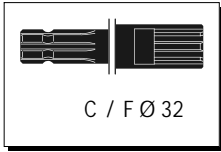
Revision: 1

Date: 04/10/2022

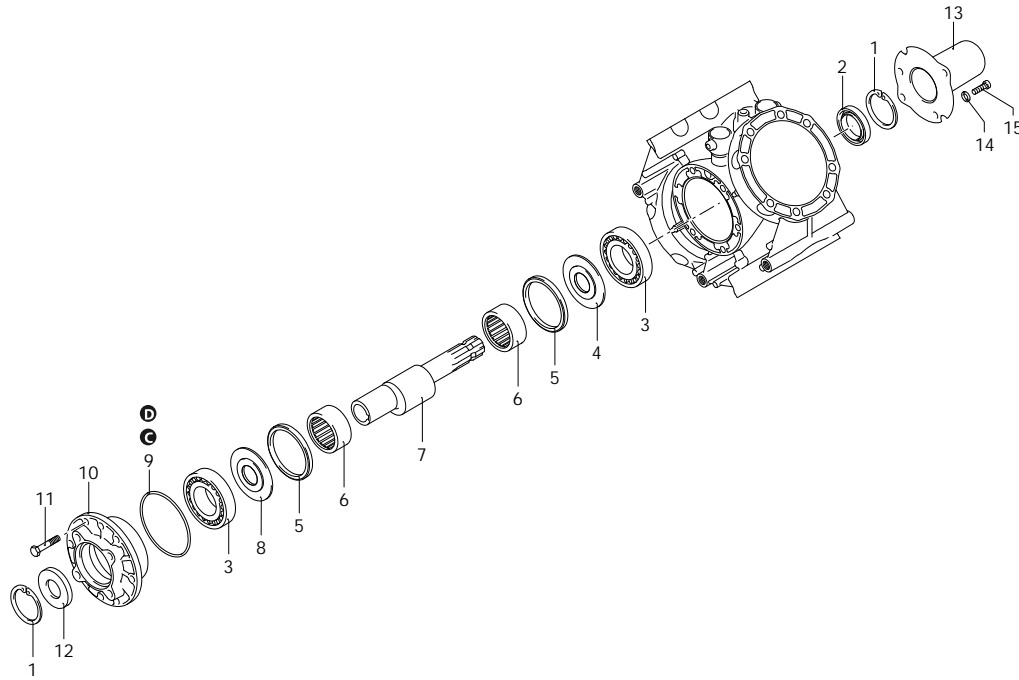


# AR 330 BP

1257 - 32049 - 1258 - 32050



C / F Ø 32



Code	Description		Q	Note
1	161050 Ring	seeger Øi 72	2	
2	2680120 Ring	seal	1	Lubricate with Mineral Grease
3	160751 Bearing		2	Press Mount
4	540040 Plate		2	Lubricate with motor oil
5	850130 Ring	Connecting-rod	2	
6	850320 Bearing		2	
7	3280120 Shaft	DS marked	1	
8	3040360 Plate		1	
9	1800160 O-ring	Ø 113,97x2,62	1	Lubricate Molykote PG54
10	3040321 Flange		1	Lubricate Molykote PG54
11	450261 Screw	TE M6x35	6	C=20Nm / Lubricate with Mineral Grease
12	2680130 Ring	seal	1	Lubricate with Mineral Grease
13	760360 Guard		1	
14	390314 Washer		3	
15	850251 Screw	TCEI M8x12	3	C=10Nm
A	42980 Valve kit		1	
B	42587 Diaphragms kit	NBR	1	
B	43181 Diaphragms kit	BlueFlex	1	
B	42589 Diaphragms kit	Desmopan	1	
C	42591 O-ring kit		1	
D	42981 Maintenance repair kit	NBR	1	

AR-2\_000035\_v01

AR 330 BP AP C/C - NBR • 1257  
 AR 330 BP AP C/C - BlueFlex • 32049  
 AR 330 BP AP C/F Ø 32 - NBR • 1258  
 AR 330 BP AP C/F Ø 32 - BlueFlex • 32050



Revision: 1

Date: 04/10/2022