

# SERVICE - INFO



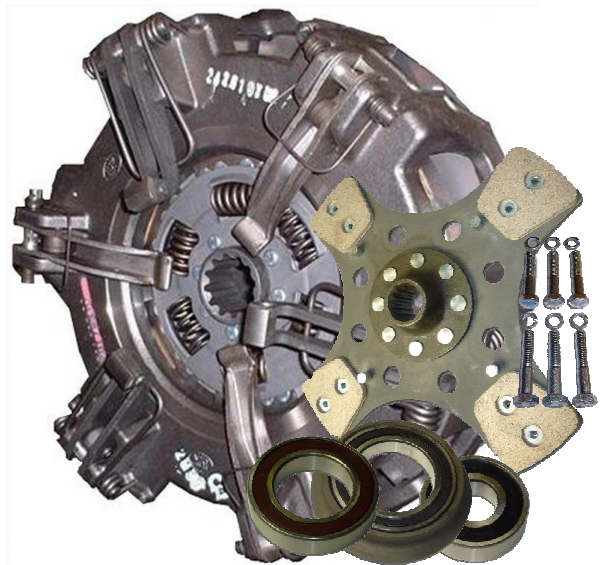
## John Deere 5000 Series Tractors

<b>Info:</b>	<b>LuK service solution kit to replace OMG clutch</b>
<b>LuK Repsets:</b>	628 3178 00 = European Built Tractors – Potted flywheel and 12 spline transmission disc 628 3135 00 = US Built Tractors – Potted flywheel and 19 spline transmission disc



**Original OMG Clutch**

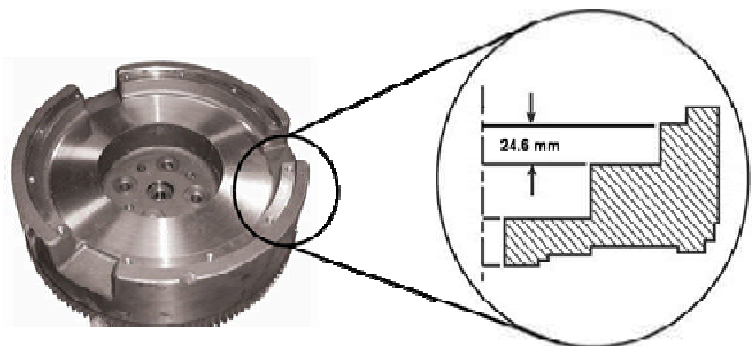
Transmission and PTO disc are both captive within the clutch assembly



**LuK Service Solution Kit**

Includes clutch assembly, loose PTO disc, transmission release bearing, PTO release bearing, flywheel bearing, fixation bolt set and service instructions

When installing the LuK service solution kit the flywheel should be machined to a pot depth of 24.6mm and the supplied LuK 12mm thick PTO disc fitted



**LuK Aftermarket Service UK Ltd.**  
Holme Lacy Road, Rotherwas  
HR2 6LA Hereford · The United Kingdom  
Phone: +44 1432 264264 · Fax +44 1432 275146  
e-mail: LuK-AS.uk.pm@schaeffler.com  
**A Member of the Schaeffler Group**

