



# ART. 0250

Big capacity siphon valve - secondary shut-off

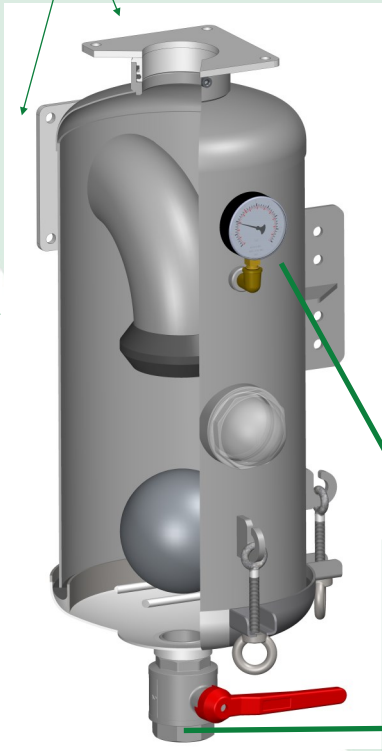
with discharge		
Big capacity siphon valve	ARZO 0250 100 000	ARZO 0250 100 00R



TECHNICAL DATA		
Max. flow rate	20.000 l/m – 700 cfm	
Max. working pressure	-1/+1,5 bar	-15/+22,5 PSI
Working temperature	-20/+80 °C	-4/+170 °F
Weight	30kg	66 lb


The inlet and the outlet connections are **flanged** and completely **adjustable**, they can, in fact rotate 360 degrees, so that the tube coming from the tank and the tube going into the pump can easily be connected

Closure of the suction line is made by the **stainless-steel floating ball** operating on the **biconical gasket**




3" plastic level indicator. **Mano-vacuummeter** (on demand)

Inspection cover, which can be provided with a **ball valve** for the eventua discharge, but that can also be **completely removed** for inspection and extra cleaning



**ART. 0350 - Mano-vacuummeter Ø80x3/8"**



**ART. 3060 - 2" ball valve for discharge**



# art. 0250

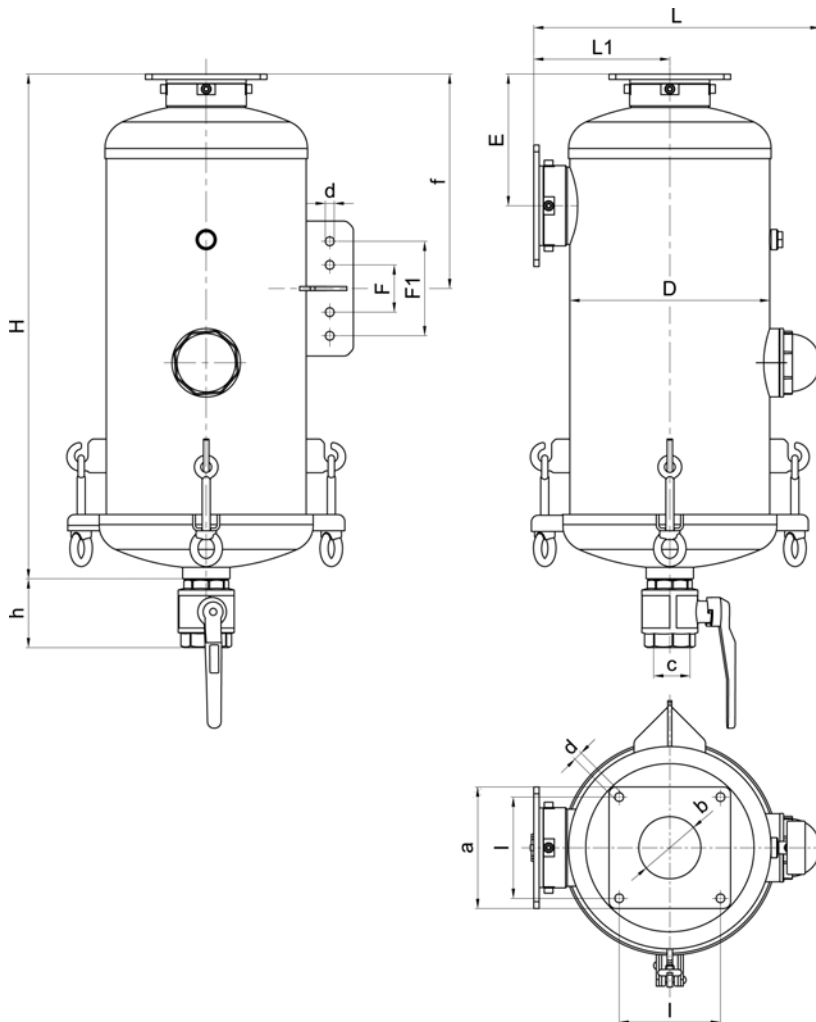
## valvola a sifone grande capienza

*big capacity siphon valve*

*soupape à siphon grande capacité*

*Siphonsicherung großes Fassungsvermögen*

*válvula sifón gran capacidad*



<b>DN</b>	<b>100</b>
<b>a</b>	180×180
<b>b</b>	92
<b>c</b>	2"
<b>D</b>	300
<b>d</b>	13
<b>E</b>	195
<b>f</b>	318
<b>F</b>	70
<b>F1</b>	140
<b>H</b>	748
<b>h</b>	102
<b>I</b>	150
<b>L</b>	424
<b>L1</b>	201,5
<b>gr ~</b>	29.800

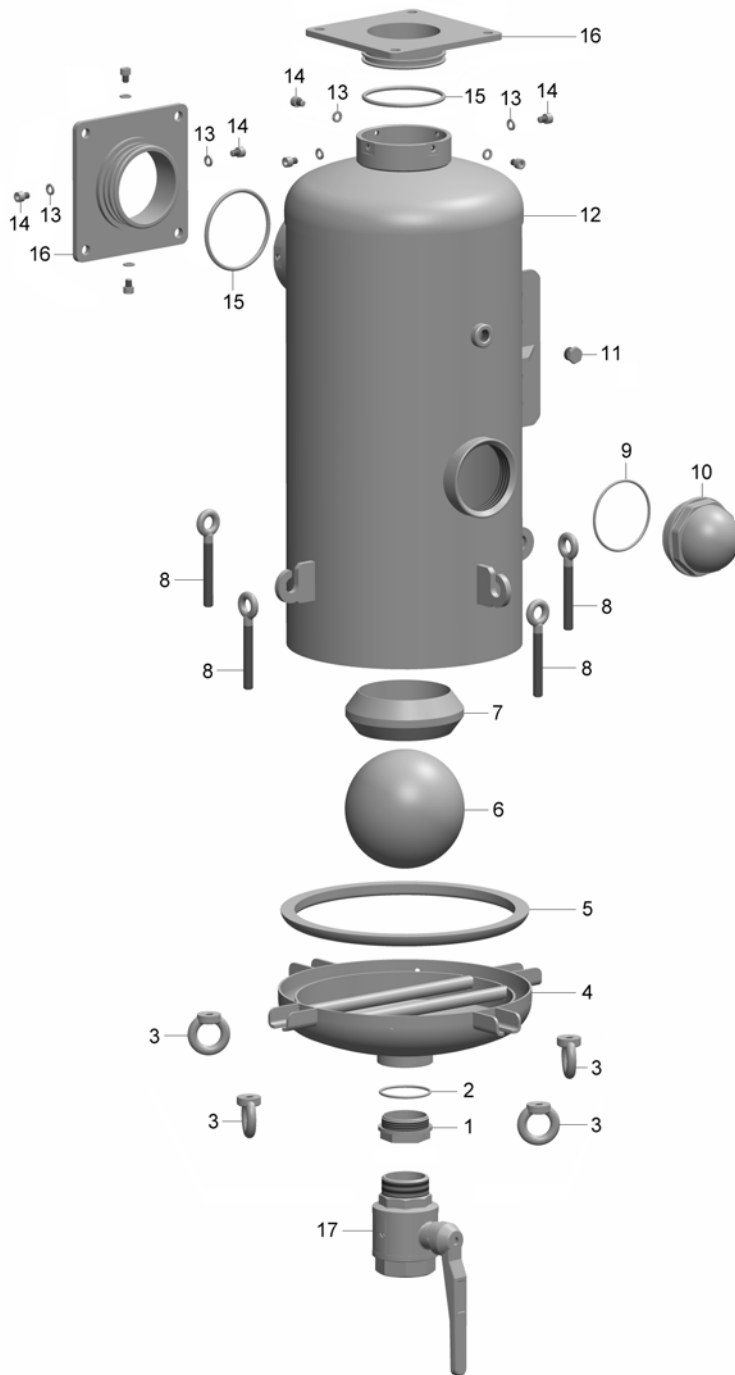
**Codici di ordinazione**  
Purchase article numbers

con scarico  
with discharge

**Valvola sifone grande capienza**  
Big capacity siphon valve

ARZO 0250 100 000

ARZO 0250 100 00R



Condizioni di esercizio

Work conditions

DN	100
P(Bar)	1,5
P(PSI)	22,5
T °C	-15 +80

POS.	CODICE / CODE	DENOMINAZIONE	DENOMINATION	MATERIALE	MATERIAL
1	SPZO 0250 120 010	TAPPO 2" G	COVER 2" G	PLASTICA	PLASTIC
2	..OR 0400 050 021	OR 162 (Øi 58,74×3,53)	O RING 162 (Øi 58,74×3,53)	GOMMA NBR 70	NBR 70 RUBBER
3	FAZO 0250 100 006	GOLFARO M12	EYE BOLT M12	ACCIAIO ZINCATO	ZINC-PLATED STEEL
4	SAZO 0250 100 002	COPERCHIO	COVER	ACCIAIO ZINCATO	ZINC-PLATED STEEL
5	GGOM 0250 100 005	ANELLO DI TENUTA	SEAL RING	GOMMA EPDM 50	EPDM 50 RUBBER
6	ARZO 0920 150 000	SFERA Ø150	BALL Ø150	ACCIAIO INOX AISI 304	AISI 304 STAINLESS STEEL
7	ARZO 0941 150 000	GUARNIZIONE BICONICA	BICONICAL GASKET	GOMMA NBR 60	NBR 60 RUBBER
8	VTAC 0250 100 004	TIRANTE M12×125	CONNECTION ROD M12×125	ACCIAIO ZINCATO	ZINC-PLATED STEEL
9	..OR 0400 080 021	OR 4337 (Øi 85,32×3,53)	O RING 4337 (Øi 85,32×3,53)	GOMMA NBR 70	NBR 70 RUBBER
10	SPZO 0400 080 003	SPIA 3"	INSPECTION GLASS 3"	POLICARBONATO	POLYCARBONATE
11	TOIR 1027 010 015	TAPPO 3/8"	COVER 3/8"	OTTONE UNI EN 12164	UNI EN 12164 BRASS
12	SAZO 0250 100 001	CORPO	BODY	ACCIAIO ZINCATO	ZINC-PLATED STEEL
13	ROAC 0080 200 017	RONDELLA Ø14,4×8,4×2	WASHER Ø14,4×8,4×2	ACCIAIO INOX AISI 304	AISI 304 STAINLESS STEEL
14	VTAC 0250 100 007	VITE TCEI M8×10	SCREW TCEI M8×10	ACCIAIO INOX AISI 304	AISI 304 STAINLESS STEEL
15	..OR 0020 080 003	OR 187 (Øi 94,62×5,34)	O RING 187 (Øi 94,62×5,34)	GOMMA NBR 70	NBR 70 RUBBER
16	SAZO 0250 100 003	FLANGIA	FLANGE	ACCIAIO ZINCATO	ZINC-PLATED STEEL
17	ARIN 3060 050 000	VALVOLA 2" G	VALVE 2" G	OTTONE CROMATO	CHROMIUM PLATED STEEL