



### Dimensioni d'ingombro

L'illustrazione raffigura le dimensioni di massima della pompa e i punti di fissaggio.

### Overall dimensions

The illustration shows the approximate dimensions of the pump and the mounting points.

### Dimensions hors-tout

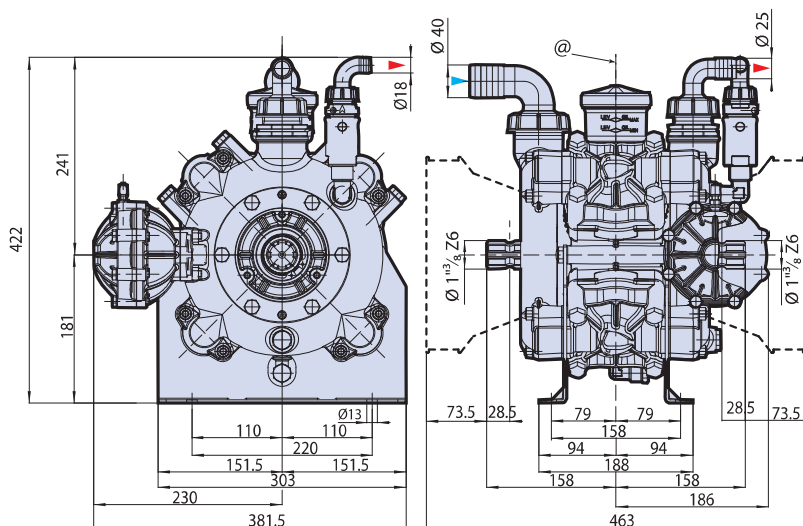
L'illustration représente les dimensions hors-tout de la pompe et les points de fixation.

### Außenmaße

Die Abbildung zeigt die Außenmaße der Pumpe und die Befestigungspunkte.

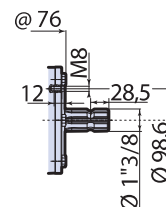
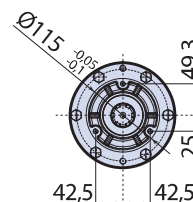
### Dimensiones

La ilustración presenta las dimensiones generales de la bomba y los puntos de fijación.

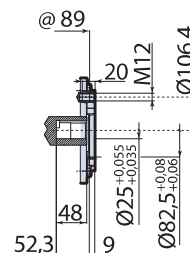
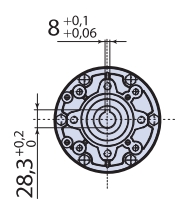


@ = Pump axis - Asse pompa

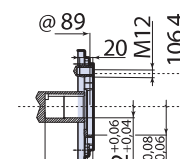
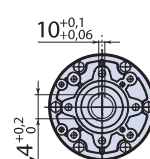
AP C/C



AP C/F Ø25mm



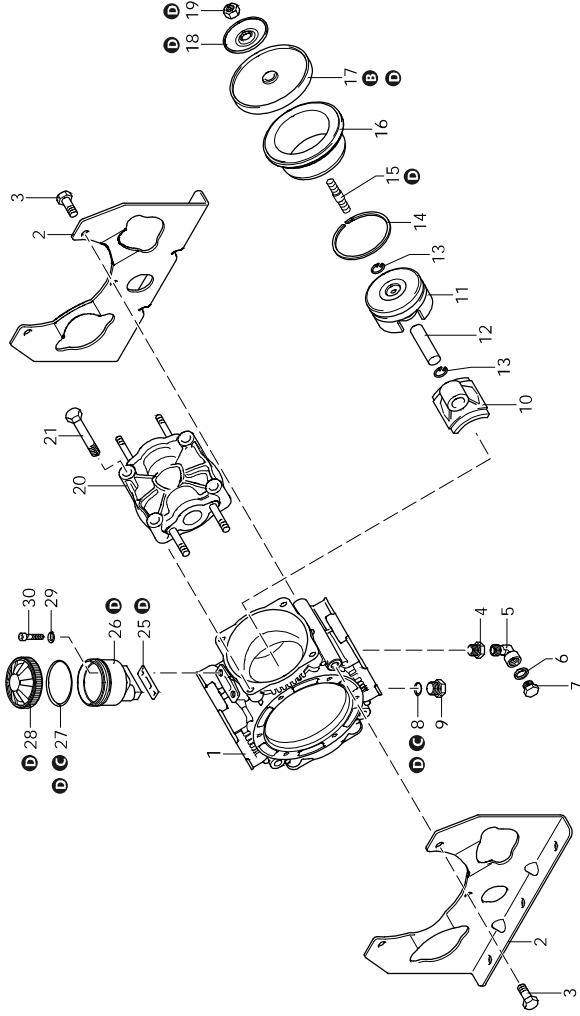
AP C/F Ø32mm





# AR 160 BP

1209 AR 160 BP AP C/C - NBR



## Code Description

## Q Note

Code	Description	Q	Note
1	761010 Pump body	1	
2	761031 Foot	2	
3	160672 Screw	6	C=35Nm / Loxeal 55-14
4	1040491 Fitting	1	C=20Nm / Loxeal 83-21
5	900210 Fitting	1	Loxeal 83-21
6	2260200 Washer	1	
7	2281270 Plug	1	C=20Nm / Loxeal 55-14
8	740290 O-ring	1	Lubricate Molykote PG54
9	880530 Plug	1	C=20Nm
10	760140 Connecting-rod	4	Lubricate with motor oil
11	750122 Piston	4	
12	160700 Pin	4	Lubricate with Mineral Grease
13	160691 Ring	8	
14	500260 Piston ring	4	
15	2240100 Hub pin	4	C=30Nm / Loxeal 83-21
16	750110 Sleeve	4	
17	550080 Diaphragm	4	NBR - Øe 115
18	751250 Plate	4	
19	2240110 Nut	4	M10
20	751350 Head	4	plastic
21	750061 Screw	16	C=60Nm / Lubricate Molykote 1000
25	750040 Gasket	1	Seal with Arexons Mastic
26	750030 Tank	1	
27	1040060 O-ring	1	Lubricate Molykote Longterm W2
28	1800060 Plug	1	Ø 72,69x2,62 black
29	380243 Washer	2	
30	680350 Screw	2	C=10Nm
A	47407 Valve kit	1	
B	2371 Diaphragms kit	1	NBR
C	42510 O-ring kit	1	
D	42511 Maintenance repair kit	1	NBR
E	47207 Tank kit	1	

AR\_01\_006\_v01

Customer: AR  
Customer Code:

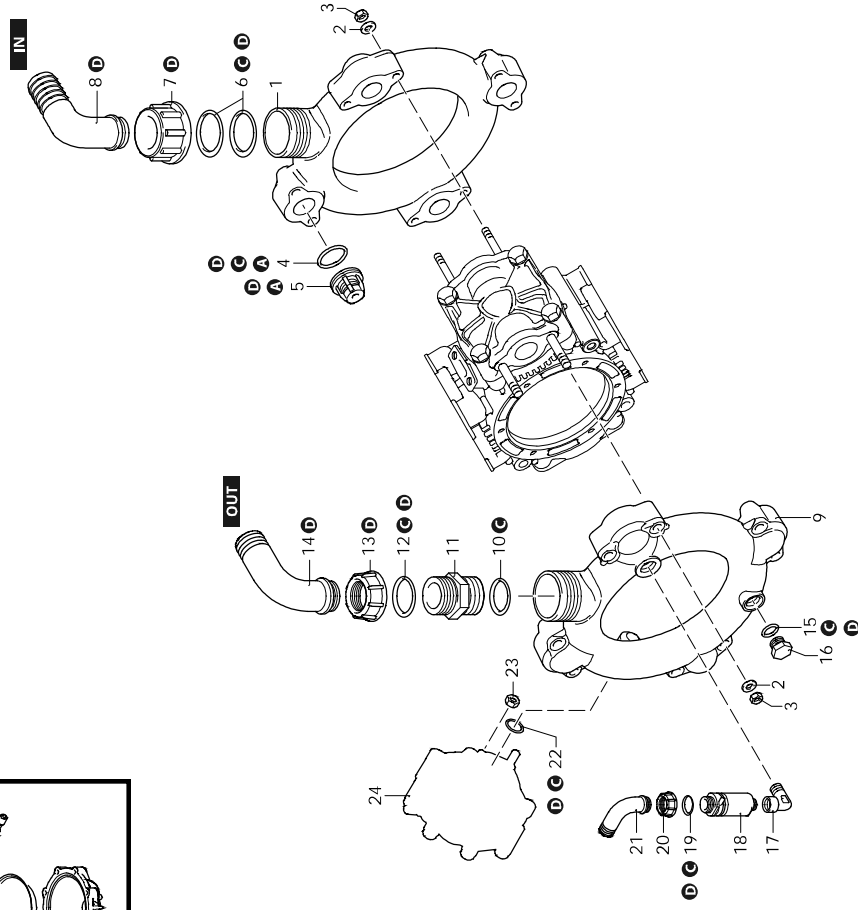
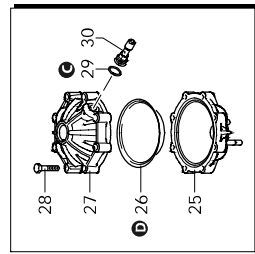


Revision: 1  
Date: 25/08/2023



# AR 160 BP

1209 AR 160 BP AP C/C - NBR



## Code Description

## Q Note

Code	Description	Q	Note
1	760750 Line	1	intake
2	380243 Washer	16	
3	380242 Nut	16	C=20Nm / Lubricate Molykote 1000
4	680070 O-ring	8	Lubricate with motor oil
5	759051 Valve	8	
6	3040470 O-ring	2	Lubricate with motor oil
7	3040450 Ring nut	1	
8	3040430 Elbow	1	
9	760760 Line	1	delivery
10	751140 O-ring	1	Lubricate with motor oil
11	751130 Fitting	1	C=10Nm
12	390290 O-ring	1	Lubricate Molykote PG54
13	750670 Ring nut	1	
14	760930 Elbow	1	
15	180101 O-ring	1	Lubricate with motor oil
16	330173 Plug	1	C=20Nm / Loxeal 55-14
17	881560 Fitting	1	C=20Nm / Loxeal 83-21
18	1609000 Safety valve	1	Loxeal 24-18
19	880831 O-ring	1	Lubricate Molykote G-807
20	550450 Ring nut	1	
21	550460 Elbow	1	
22	390290 O-ring	1	Lubricate Molykote PG54
23	380242 Nut	2	C=20Nm / Lubricate Molykote 1000
24	629216 Air chamber	1	
25	680180 Semi air chamber	1	lower
26	550190 Diaphragm	1	NBR - Øe 110
27	620232 Semi air chamber	1	upper
28	621781 Screw	1	TE M8x40
29	650542 Gasket	1	Lubricate with motor oil
30	180020 Air valve	1	C=3Nm / Loxeal 55-14
A	47407 Valve kit	1	
B	2371 Diaphragms kit	1	NBR
C	42510 O-ring kit	1	
D	42511 Maintenance repair kit	1	NBR

AR\_02\_004\_V01

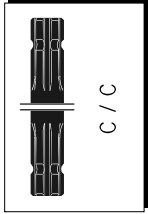


Customer: AR  
Customer Code:

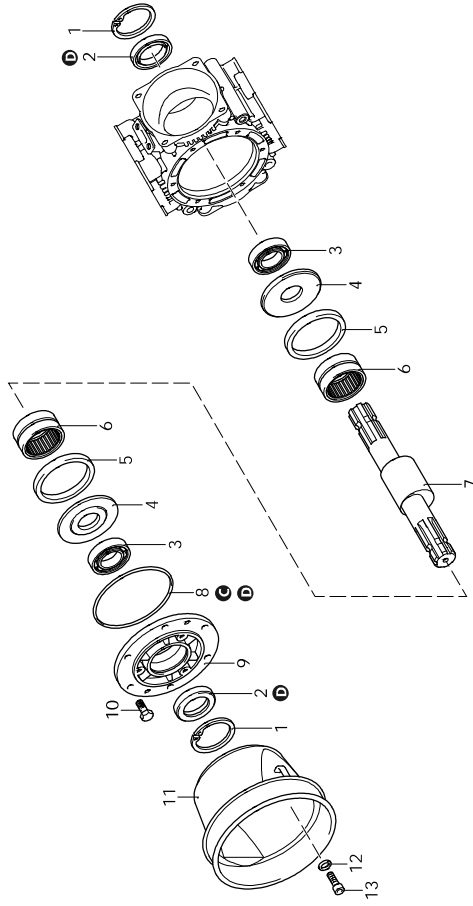


# AR 160 BP

1209 AR 160 BP AP C/C - NBR



C / C



## Code Description

## Q Note

Code	Description	Q	Note
1	200390 Ring	2	seeger Ø1 62
2	751990 Ring	2	Lubricate with Mineral Grease
3	230350 Bearing	2	Press Mount
4	540040 Plate	2	Lubricate with motor oil
5	750130 Ring	2	Lubricate with motor oil
6	750090 Bearing	2	Lubricate with motor oil
7	750170 Shaft	1	AU marked
8	851360 O-ring	1	Lubricate Molykote Longterm W2
9	680020 Support	1	Lubricate with Mineral Grease
10	160672 Screw	6	C=35Nm / Loxeal 55-14
11	1500470 Cardan protection	1	
12	390314 Washer	3	
13	850251 Screw	3	C=10Nm
A	47407 Valve kit	1	
B	2371 Diaphragms kit	1	NBR
C	42510 O-ring kit	1	
D	42511 Maintenance repair kit	1	NBR

AR\_03\_01E\_v01

Customer: AR  
Customer Code:



Revision: 1  
Date: 25/08/2023