

Code Description

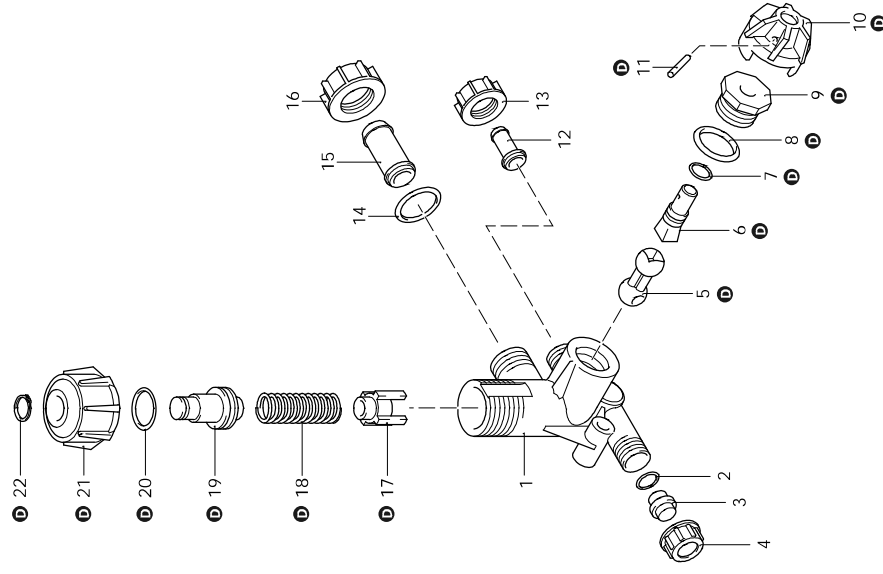
Q Note

1	800010	Pump body		1	
2	800190	Diaphragm	NBR - Øe 94	1	
3	800230	Semi air chamber	upper	1	
4	800650	Air valve		1	C=20Nm / Loxeal 83-21
5	540290	Screw	TCEI M8x25	1	C=23Nm
6	800311	Foot		1	
7	380241	Washer		2	
8	180431	Screw	TE M8x16	2	C=30Nm
9	390180	O-ring	Ø 18,72x2,62	1	Lubricate with motor oil
10	800340	Hose tail	Ø 20	1	
11	550450	Ring nut	3/4" G	1	
12	740290	O-ring	Ø 14x1,78	1	Lubricate Molykote PG54
13	801960	Tank		1	
14	550040	O-ring	Ø 26,65x2,62	1	Lubricate with motor oil
15	550052	Plug	black	1	
16	480440	O-ring	Ø 17,13x2,62	1	Lubricate Molykote G-807
19	800140	Connecting-rod		2	Lubricate with motor oil
20	802070	Piston	Ø 42	2	
21	800130	Pin		2	Lubricate with motor oil
22	802080	Piston ring		2	
23	802060	Sleeve		2	
24	800080	Diaphragm	NBR - Øe 72	2	
25	800350	Plate		2	
26	800090	Hub pin		2	C=20Nm / Lubricate Molykote 1000
27	800210	O-ring	Ø 13,10x2,62	2	Lubricate with motor oil
28	880830	O-ring	Ø 15,54x2,62	4	Lubricate Molykote G-807
29	809060	Complete valve		4	
30	800220	Screw	TCEI M8x45	7	C=20Nm
31	680360	Screw	TCEI M8x50	1	C=20Nm
32	801940	Head		2	
33	480440	O-ring	Ø 17,13x2,62	2	Lubricate Molykote G-807
34	680350	Screw	TCEI M8x35	3	C=10Nm
35	390270	Nut	M8	3	C=10Nm
36	1912	Valve adjustment		1	
37	550331	Washer		2	
38	800410	Screw	TCEI M6x40	2	
A	2408	Valve kit		1	
B	1927	Diaphragms kit	NBR	1	
C	2409	O-ring kit		1	
D	2410	Maintenance repair kit	NBR	1	
E	42506	Tank kit		1	

Customer: AR  
Customer Code:



SAE 30  
0,340 Kg



Code Description

Q Note

1	800400 Body		1
2	800560 O-ring	Ø 8,73x1,78	1
3	800540 Plug		1
4	800520 Ring nut	3/8" G	1
5	800430 Valve		1
6	800490 Hub pin		1
7	800560 O-ring	Ø 8,73x1,78	1
8	480440 O-ring	Ø 17,13x2,62	1
9	800500 Ring nut		1
10	800510 Knob		1
11	390330 Pin		1
12	800530 Pipe		1
13	800520 Ring nut	3/8" G	1
14	740290 O-ring	Ø 14x1,78	1
15	800670 Pipe		1
16	800680 Ring nut	M22X1,5	1
17	800440 Guide		1
18	800450 Spring		1
19	800460 Guide		1
20	480440 O-ring	Ø 17,13x2,62	1
21	800470 Knob		1
22	480550 Ring	seeger Øe 12	1
D	1910 Maintenance repair kit		1
1912	1912 Valve adjustment		1

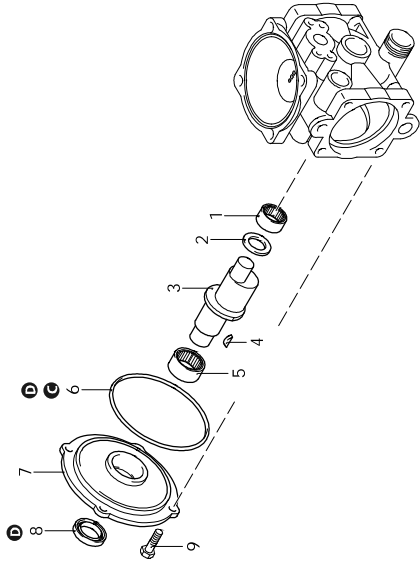
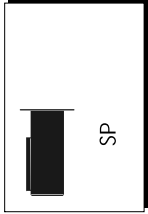
Lubricate Molykote G-807

Lubricate Molykote PG54

Lubricate Molykote G-807



Customer: AR  
Customer Code:



Code Description

Q Note

1	480370	Bushing	1	Lubricate with Mineral Grease
2	800160	Spacer	1	Lubricate with Mineral Grease
3	800175	Shaft	1	
4	800590	Key	1	
5	800180	Bushing	1	Lubricate with Mineral Grease
6	800380	O-ring	1	Lubricate with motor oil
7	800020	Flange	1	
8	800200	Ring	1	seal
9	320350	Screw	4	C=10Nm
A	2408	Valve kit	1	
B	1927	Diaphragms kit	1	
C	2409	O-ring kit	1	
D	2410	Maintenance repair kit	1	