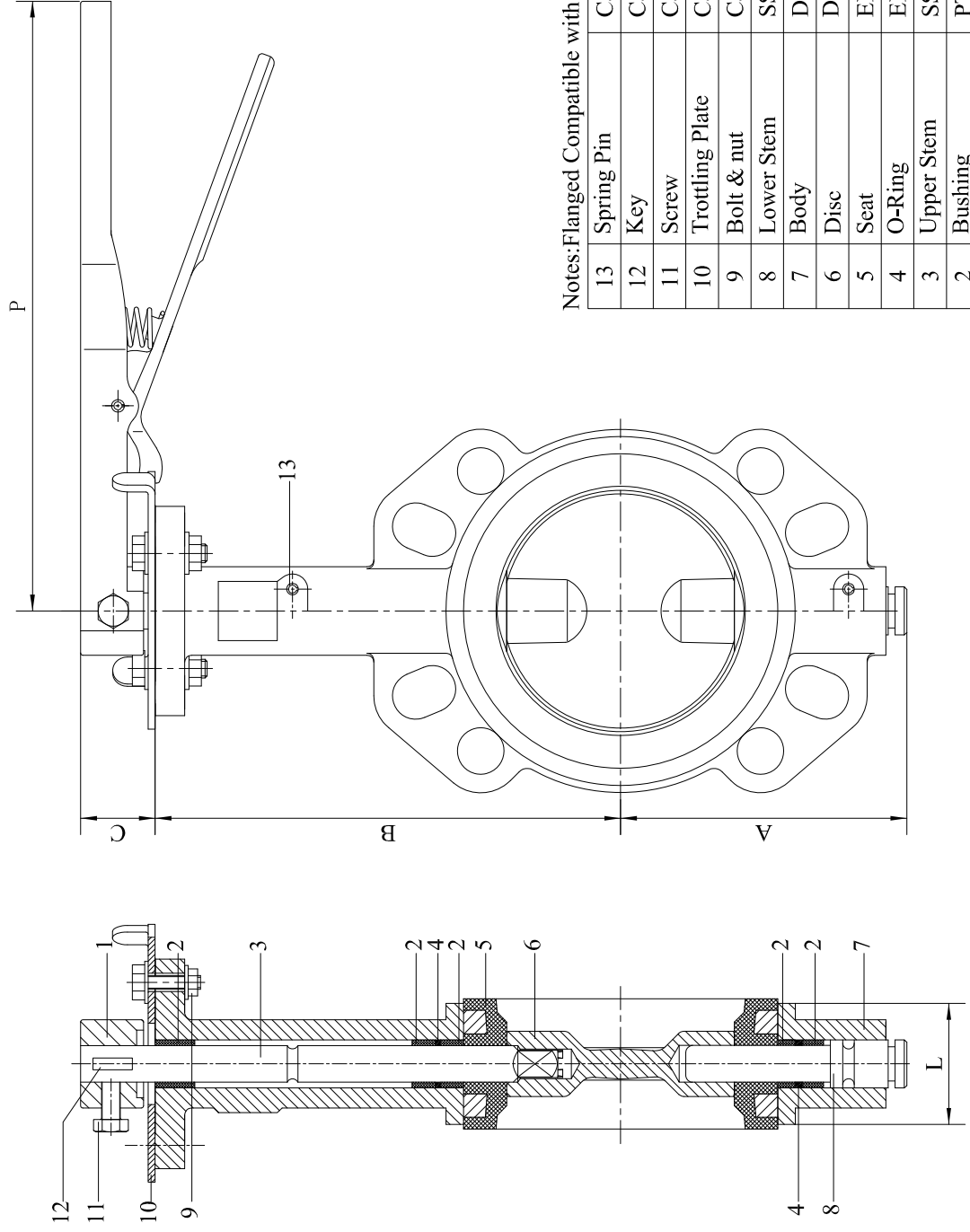


DN	A	B	C	P	L
40	79	145	28	260	33
50	85	162	28	260	43
65	98	174	28	260	45
80	104	181	28	260	45
100	123	200	28	260	52
125	136	213	28	260	54
150	148	225	28	260	56
200	186	260	38	360	60
250	212	292	38	360	66
300	251	337	38	360	77



Notes: Flanged Compatible with PN10/16, CLASS 125/150.

Item	Description	Material	Remark
13	Spring Pin	Carbon steel	
12	Key	Carbon steel	
11	Screw	Carbon steel	
10	Trotting Plate	Carbon steel	
9	Bolt & nut	Carbon steel	
8	Lower Stem	SS316	
7	Body	DI	
6	Disc	DI,CF8M	
5	Seat	EPDM	
4	O-Ring	EPDM	
3	Upper Stem	SS316	
2	Bushing	PTFE	
1	Lever	Malleable cast iron	