

GRAMMER
 Ersatzteilzeichnung
 SPARE PARTS DRAWING
 90.6PG-04
 Sammelzeichnung
 COLLECTIVE DRAWING

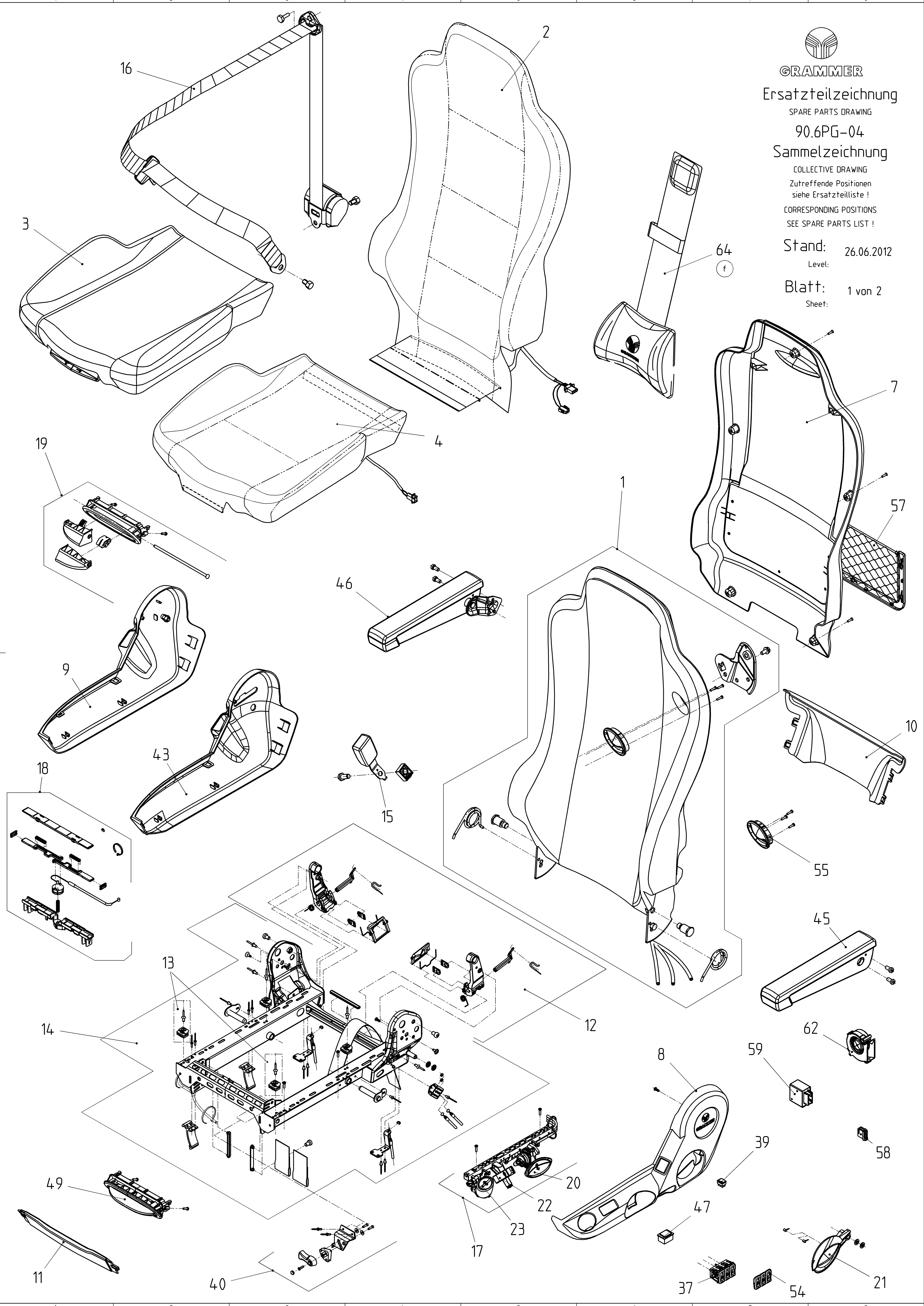
Zutreffende Positionen
 siehe Ersatzteilliste !
 CORRESPONDING POSITIONS
 SEE SPARE PARTS LIST !

Stand: 26.06.2012

Level:

Blatt: 1 von 2

Sheet:



Schnittkante
 Zeichnung (Printer) vor
 Weitergabe beschneiden

○	
○	
○	
○	
ⓕ	Pos. 64 hinzu.
ⓔ	Pos. 24,25,26,27,31 löschen, 63 hinzu
ⓓ	Pos. 59,60,61,62 hinzu.
Ⓒ	Pos. 58 hinzu.
Ⓑ	Pos. 57 hinzu.
Ⓐ	sh. Bl. 2
Ind.	Aenderungsbeschreibung

Spezifikationen		SPEZIFIKATIONEN		Letzte Position 64	
Wichtige Funktionen:	<input type="checkbox"/>	Kunde/Lieferant:	<input type="checkbox"/>	Teilklasse:	Zeichnung:
Prozess:	<input type="checkbox"/>	Kunde/SUPPLIER:	<input type="checkbox"/>	Z-Nr./Kunde/Lieferant:	CAD:
Dimensional VISITATOR:	<input type="checkbox"/>	PROZESSLEISTUNG:	<input type="checkbox"/>	DATE:	REVISION:
Scale:	<input type="checkbox"/>	Method 1:	<input type="checkbox"/>	Material:	Material:
Method 2:	<input type="checkbox"/>	Method 3:	<input type="checkbox"/>	Method 4:	<input type="checkbox"/>
Method 5:	<input type="checkbox"/>	Method 6:	<input type="checkbox"/>	Method 7:	<input type="checkbox"/>
Method 8:	<input type="checkbox"/>	Method 9:	<input type="checkbox"/>	Method 10:	<input type="checkbox"/>
Method 11:	<input type="checkbox"/>	Method 12:	<input type="checkbox"/>	Method 13:	<input type="checkbox"/>
Method 14:	<input type="checkbox"/>	Method 15:	<input type="checkbox"/>	Method 16:	<input type="checkbox"/>
Method 17:	<input type="checkbox"/>	Method 18:	<input type="checkbox"/>	Method 19:	<input type="checkbox"/>
Method 20:	<input type="checkbox"/>	Method 21:	<input type="checkbox"/>	Method 22:	<input type="checkbox"/>
Method 23:	<input type="checkbox"/>	Method 24:	<input type="checkbox"/>	Method 25:	<input type="checkbox"/>
Method 26:	<input type="checkbox"/>	Method 27:	<input type="checkbox"/>	Method 28:	<input type="checkbox"/>
Method 29:	<input type="checkbox"/>	Method 30:	<input type="checkbox"/>	Method 31:	<input type="checkbox"/>
Method 32:	<input type="checkbox"/>	Method 33:	<input type="checkbox"/>	Method 34:	<input type="checkbox"/>
Method 35:	<input type="checkbox"/>	Method 36:	<input type="checkbox"/>	Method 37:	<input type="checkbox"/>
Method 38:	<input type="checkbox"/>	Method 39:	<input type="checkbox"/>	Method 40:	<input type="checkbox"/>
Method 41:	<input type="checkbox"/>	Method 42:	<input type="checkbox"/>	Method 43:	<input type="checkbox"/>
Method 44:	<input type="checkbox"/>	Method 45:	<input type="checkbox"/>	Method 46:	<input type="checkbox"/>
Method 47:	<input type="checkbox"/>	Method 48:	<input type="checkbox"/>	Method 49:	<input type="checkbox"/>
Method 50:	<input type="checkbox"/>	Method 51:	<input type="checkbox"/>	Method 52:	<input type="checkbox"/>
Method 53:	<input type="checkbox"/>	Method 54:	<input type="checkbox"/>	Method 55:	<input type="checkbox"/>
Method 56:	<input type="checkbox"/>	Method 57:	<input type="checkbox"/>	Method 58:	<input type="checkbox"/>
Method 59:	<input type="checkbox"/>	Method 60:	<input type="checkbox"/>	Method 61:	<input type="checkbox"/>
Method 62:	<input type="checkbox"/>	Method 63:	<input type="checkbox"/>	Method 64:	<input type="checkbox"/>
Method 65:	<input type="checkbox"/>	Method 66:	<input type="checkbox"/>	Method 67:	<input type="checkbox"/>
Method 68:	<input type="checkbox"/>	Method 69:	<input type="checkbox"/>	Method 70:	<input type="checkbox"/>
Method 71:	<input type="checkbox"/>	Method 72:	<input type="checkbox"/>	Method 73:	<input type="checkbox"/>
Method 74:	<input type="checkbox"/>	Method 75:	<input type="checkbox"/>	Method 76:	<input type="checkbox"/>
Method 77:	<input type="checkbox"/>	Method 78:	<input type="checkbox"/>	Method 79:	<input type="checkbox"/>
Method 80:	<input type="checkbox"/>	Method 81:	<input type="checkbox"/>	Method 82:	<input type="checkbox"/>
Method 83:	<input type="checkbox"/>	Method 84:	<input type="checkbox"/>	Method 85:	<input type="checkbox"/>
Method 86:	<input type="checkbox"/>	Method 87:	<input type="checkbox"/>	Method 88:	<input type="checkbox"/>
Method 89:	<input type="checkbox"/>	Method 90:	<input type="checkbox"/>	Method 91:	<input type="checkbox"/>
Method 92:	<input type="checkbox"/>	Method 93:	<input type="checkbox"/>	Method 94:	<input type="checkbox"/>
Method 95:	<input type="checkbox"/>	Method 96:	<input type="checkbox"/>	Method 97:	<input type="checkbox"/>
Method 98:	<input type="checkbox"/>	Method 99:	<input type="checkbox"/>	Method 100:	<input type="checkbox"/>

