

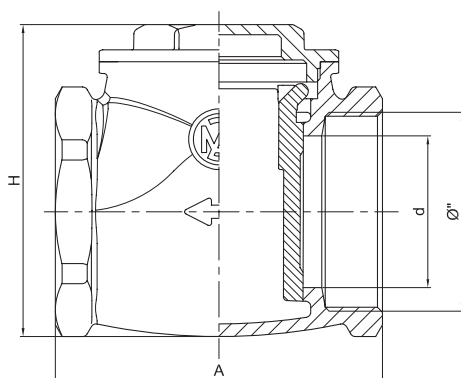


art. 3101

valvola a clapet - tenuta metallo*flap-valve - metal seal**soupape à clapet - joint métallique**Klappenventil - Metall-Dichtung**válvula de lengüeta - sello metálico***Filettatura: gas cilindrica UNI EN ISO 228/1**

Thread: BSP parallel UNI EN ISO 228/1

| Ø" | 3/8" | 1/2" | 3/4" | 1" | 1"1/4 | 1"1/2 | 2" | 2"1/2 | 3" | 4" | 5" | 6" |
|------|------|------|------|-----|-------|-------|-------|-------|-------|-------|-------|-------|
| d | 14 | 14 | 20 | 25 | 33 | 37 | 45 | 57 | 72 | 90 | 119 | 145 |
| H | 49,5 | 49,5 | 54,5 | 63 | 71,5 | 80 | 92,5 | 110 | 129 | 165 | 205,5 | 233,5 |
| A | 50 | 50 | 54 | 68 | 74 | 86 | 97 | 116 | 164 | 164 | 206 | 235 |
| gr ~ | 207 | 187 | 252 | 400 | 520 | 735 | 1.100 | 1.750 | 2.580 | 3.970 | 7.530 | 9.850 |

**Condizioni di esercizio**

Work conditions

| DN | 3/8" ÷ 2" | 2"1/2 ÷ 6" |
|---------|-----------|------------|
| P (bar) | 10 | 6 |
| P (PSI) | 145 | 90 |
| T (°C) | +5 +80 | |

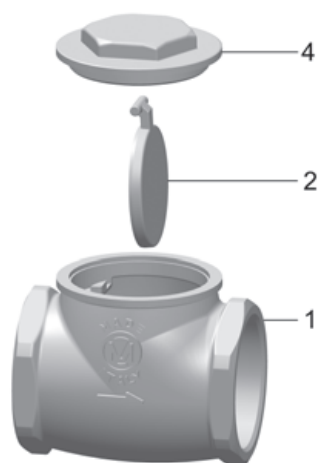
Codici di ordinazione

Purchase article numbers

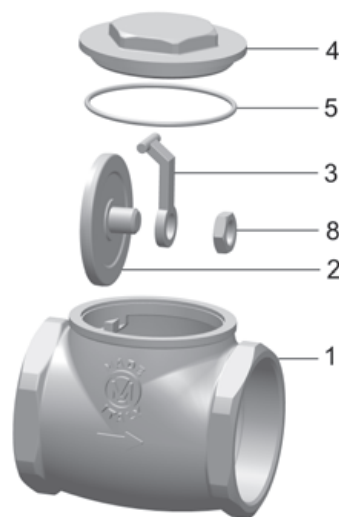
Valvola a clapet - tenuta metallo

Flap-valve - metal seal

ARIN 3101 (DN) 000



3/8" - 1/2" - 3/4" - 1" - 1"1/4 - 1"1/2 - 2"



2"1/2 - 3" - 4" - 5" - 6"

| POS. | CODICE / CODE | DENOMINAZIONE | DENOMINATION | MATERIALE | MATERIAL |
|------|--------------------|--------------------------------|-----------------------------------|---------------------|--------------------|
| 1 | FOIN 3100 (DN) 001 | CORPO Ø"... | BODY Ø"... | OTTONE UNI EN 1982 | UNI EN 1982 BRASS |
| 2 | SOIN 3101 (DN) 002 | PIATTELLO Ø"... (da 3/8" a 3") | SHUTTER Ø"... (from 3/8" to 3") | OTTONE UNI EN 12165 | UNI EN 12165 BRASS |
| 2 | FOIN 3101 (DN) 002 | PIATTELLO Ø"... (da 4" a 6") | SHUTTER Ø"... (from 4" to 6") | OTTONE UNI EN 1982 | UNI EN 1982 BRASS |
| 3 | SOIN 3100 (DN) 003 | LEVA INTERNA Ø"... | INNER LEVER Ø"... | OTTONE UNI EN 12165 | UNI EN 12165 BRASS |
| 4 | SOIN 3100 (DN) 004 | TAPPO Ø"... (da 1/2" a 3") | COVER Ø"... (from 3/8" to 3") | OTTONE UNI EN 12165 | UNI EN 12165 BRASS |
| 4 | FOIN 3100 (DN) 004 | TAPPO Ø"... (da 4" a 6") | COVER Ø"... (from 4" to 6") | OTTONE UNI EN 1982 | UNI EN 1982 BRASS |
| 5 | ..OR 3100 070 003 | OR 3281 (Øi 71,12×2,62) 2"1/2 | O RING 3281 (Øi 71,12×2,62) 2"1/2 | GOMMA NBR 70 | NBR 70 RUBBER |
| 5 | ..OR 0400 080 021 | OR 4337 (Øi 85,32×3,53) 3" | O RING 4337 (Øi 85,32×3,53) 3" | GOMMA NBR 70 | NBR 70 RUBBER |
| 5 | ..OR 3100 100 003 | OR 4412 (Øi 104,37×3,53) 4" | O RING 4412 (Øi 104,37×3,53) 4" | GOMMA NBR 70 | NBR 70 RUBBER |
| 5 | ..OR 3100 125 003 | OR 4537 (Øi 136,12×3,53) 5" | O RING 4537 (Øi 136,12×3,53) 5" | GOMMA NBR 70 | NBR 70 RUBBER |
| 5 | ..OR 0090 125 017 | OR 4625 (Øi 158,35×3,53) 6" | O RING 4625 (Øi 158,35×3,53) 6" | GOMMA NBR 70 | NBR 70 RUBBER |
| 8 | TOIR 1040 006 021 | DADO 1/4" (2"1/2 - 3" - 4") | NUT 1/4" (2"1/2 - 3" - 4") | OTTONE UNI EN 12165 | UNI EN 12165 BRASS |
| 8 | TOIR 1050 010 020 | DADO 3/8" (5" - 6") | NUT 3/8" (5" - 6") | OTTONE UNI EN 12165 | UNI EN 12165 BRASS |

Tabella conversione Ø"(in) - DN (mm)

Ø"(in) - DN (mm) conversion table

| Ø" | 3/8" | 1/2" | 3/4" | 1" | 1"1/4 | 1"1/2 | 2" | 2"1/2 | 3" | 4" | 5" | 6" |
|----|------|------|------|-----|-------|-------|-----|-------|-----|-----|-----|-----|
| DN | 010 | 015 | 020 | 025 | 032 | 040 | 050 | 070 | 080 | 100 | 125 | 150 |